

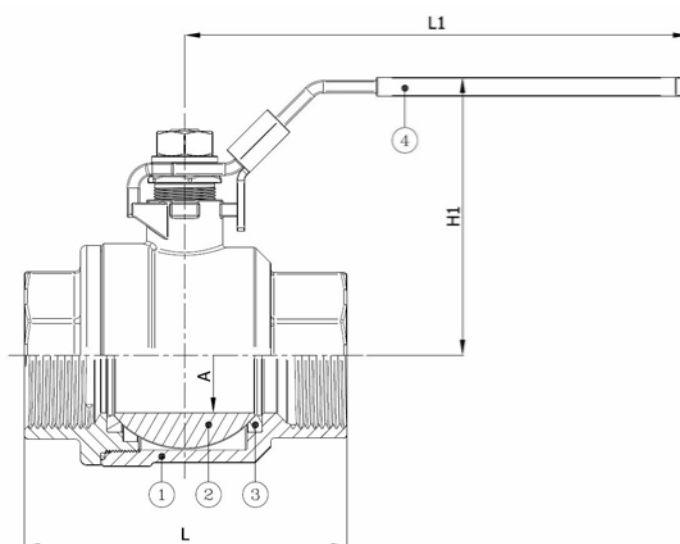
## BV2-6666T-LD-BSP

Ball valve with 2-pce body, full bore, BSP threaded F/F ISO228/1-G, with lockable lever

Face to Face Standard: Factory standard



Item Number	Belven Ref
026177T1008-A	BV2-6666T-LD-BSP - 1/4" - LEVER
026177T1010-A	BV2-6666T-LD-BSP - 3/8" - LEVER
026177T1015-A	BV2-6666T-LD-BSP - 1/2" - LEVER
026177T1020-A	BV2-6666T-LD-BSP - 3/4" - LEVER
026177T1025-A	BV2-6666T-LD-BSP - 1" - LEVER
026177T1032-A	BV2-6666T-LD-BSP - 1 1/4" - LEVER
026177T1040-A	BV2-6666T-LD-BSP - 1 1/2" - LEVER
026177T1050-A	BV2-6666T-LD-BSP - 2" - LEVER



DN/Size	A	H1	L	L1	Press.Cl.	Weight(kg)
DN08 (1/4")	10	41,4	49,2	80	1000 WOG	0.16
DN10 (3/8")	12,5	41,4	49,2	80	1000 WOG	0.15
DN15 (1/2")	15	45	59	80	1000 WOG	0.22
DN20 (3/4")	20	54,7	68,6	100	1000 WOG	0.37
DN25 (1")	24,5	65,3	78,6	125	1000 WOG	0.61
DN32 (1 1/4")	32	70,9	93,2	125	1000 WOG	0.96
DN40 (1 1/2")	38	84	103,1	160	1000 WOG	1.50
DN50 (2")	50	93,3	123,3	160	1000 WOG	2.55

Item 1	Item 2	Item 3	Item 4
Body Material	Ball Material	Seat Material	Actuator Material
Stainless steel : A351 CF8M	Stainless steel : A351 CF8M/A182-F316	PTFE	Stainless steel : AISI 201 (EN1.4372)

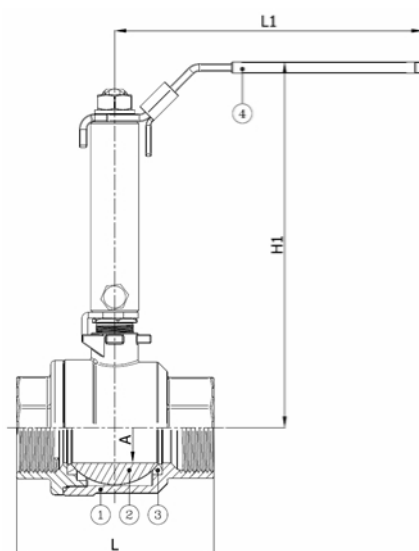
## BV2-6666T-LD-BSP - STE with lever

Ball valve with 2-pce body, full bore, BSP threaded F/F ISO228/1-G, with stainless steel stem extension and lockable lever

Face to Face Standard: Factory standard



Item Number	Belven Ref
026177T1S015-A	BV2-6666T-LD-BSP - 1/2" - STE-LEVER
026177T1S020-A	BV2-6666T-LD-BSP - 3/4" - STE-LEVER
026177T1S025-A	BV2-6666T-LD-BSP - 1" - STE-LEVER
026177T1S032-A	BV2-6666T-LD-BSP - 1 1/4" - STE-LEVER
026177T1S040-A	BV2-6666T-LD-BSP - 1 1/2" - STE-LEVER
026177T1S050-A	BV2-6666T-LD-BSP - 2" - STE-LEVER



DN/Size	A	H1	L	L1	Press.Cl.	Weight(kg)
DN15 (1/2")	15	145	59	80	1000 WOG	0.37
DN20 (3/4")	20	154,7	68,6	100	1000 WOG	0.52
DN25 (1")	24,5	165,3	78,6	125	1000 WOG	0.76
DN32 (1 1/4")	32	170,9	93,2	125	1000 WOG	1.21
DN40 (1 1/2")	38	184	103,1	160	1000 WOG	1.90
DN50 (2")	50	193,3	123,3	160	1000 WOG	2.95

Item 1	Item 2	Item 3	Item 4
Body Material	Ball Material	Seat Material	Actuator Material
Stainless steel : A351 CF8M	Stainless steel : A351 CF8M/A182-F316	PTFE	stainless steel AISI 316

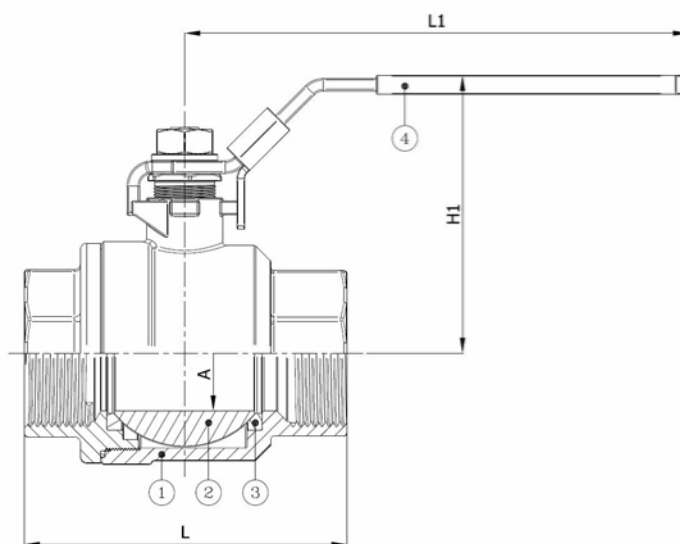
## BV2-6666T-LD-NPT

Ball valve with 2-pce body, full bore, NPT threaded F/F ANSI B2.1, with lockable lever

Face to Face Standard: Factory standard



Item Number	Belven Ref
026377T1008-A	BV2-6666T-LD-NPT - 1/4" - LEVER
026377T1010-A	BV2-6666T-LD-NPT - 3/8" - LEVER
026377T1015-A	BV2-6666T-LD-NPT - 1/2" - LEVER
026377T1020-A	BV2-6666T-LD-NPT - 3/4" - LEVER
026377T1025-A	BV2-6666T-LD-NPT - 1" - LEVER
026377T1032-A	BV2-6666T-LD-NPT - 1 1/4" - LEVER
026377T1040-A	BV2-6666T-LD-NPT - 1 1/2" - LEVER
026377T1050-A	BV2-6666T-LD-NPT - 2" - LEVER



DN/Size	A	H1	L	L1	Press.Cl.	Weight(kg)
DN08 (1/4")	10	41,4	49,2	80	1000 WOG	0.16
DN10 (3/8")	12,5	41,4	49,2	80	1000 WOG	0.15
DN15 (1/2")	15	45	59	80	1000 WOG	0.22
DN20 (3/4")	20	54,7	68,6	100	1000 WOG	0.37
DN25 (1")	24,5	65,3	78,6	125	1000 WOG	0.61
DN32 (1 1/4")	32	70,9	93,2	125	1000 WOG	0.96
DN40 (1 1/2")	38	84	103,1	160	1000 WOG	1.50
DN50 (2")	50	93,3	123,3	160	1000 WOG	2.55

Item 1	Item 2	Item 3	Item 4
Body Material	Ball Material	Seat Material	Actuator Material
Stainless steel : A351 CF8M	Stainless steel : A351 CF8M/A182-F316	PTFE	Stainless steel : AISI 201 (EN1.4372)