

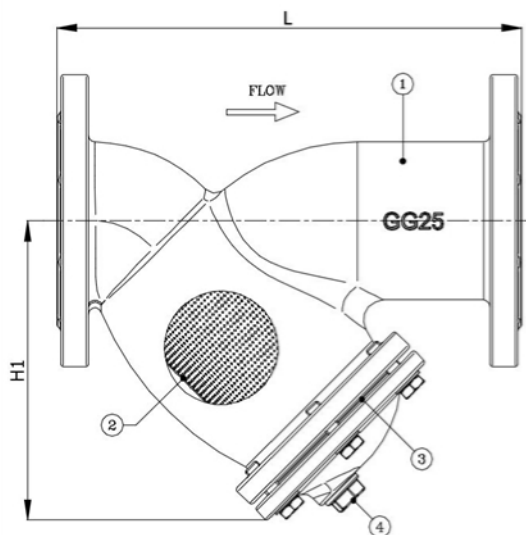
BV56-2363-PN16

Y-type strainer, flanged PN16, with perforated screen, with drain plug

Face to Face Standard: EN-558-1 series 1 (DIN3202 F1)



Item Number	Belven Ref
563636G0015	BV56-2363-PN16-DN015
563636G0020	BV56-2363-PN16-DN020
563636G0025	BV56-2363-PN16-DN025
563636G0032	BV56-2363-PN16-DN032
563636G0040	BV56-2363-PN16-DN040



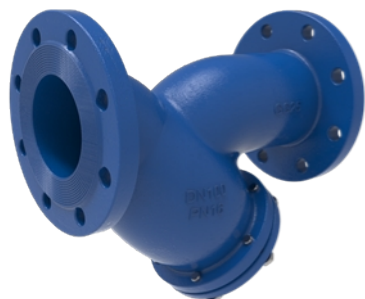
DN/Size	H1	L	Press.Cl.	Weight(kg)
DN15 (1/2")	76	130	PN16	2.30
DN20 (3/4")	83	150	PN16	3.00
DN25 (1")	91	160	PN16	4.00
DN32 (1 1/4")	111	180	PN16	6.00
DN40 (1 1/2")	118	200	PN16	7.00

Item 1	Item 2	Item 3	Item 4
Body Material	Screen Material	Gasket Material	Plug Material
Cast iron : GG25 + Epoxy powder coating (internal and external)	Stainless steel : A182-F304	Graphite	Stainless steel : A182-F304

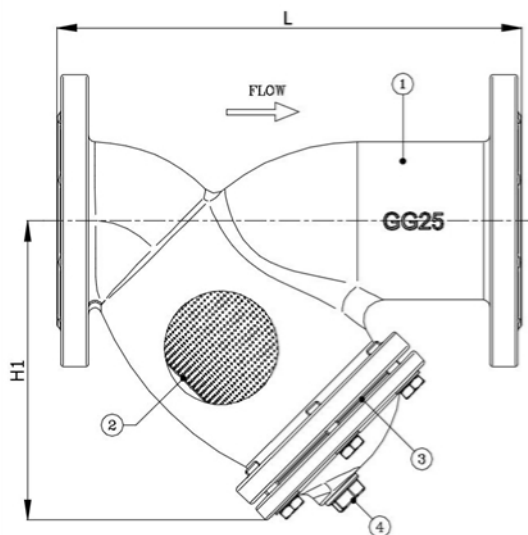
BV56-2363-PN16

Y-type strainer, flanged PN16, with perforated screen, with drain plug

Face to Face Standard: EN-558-1 series 1 (DIN3202 F1)



Item Number	Belven Ref
563636G0050	BV56-2363-PN16-DN050
563636G0065	BV56-2363-PN16-DN065
563636G0080	BV56-2363-PN16-DN080
563636G0100	BV56-2363-PN16-DN100
563636G0125	BV56-2363-PN16-DN125
563636G0150	BV56-2363-PN16-DN150
563636G0200	BV56-2363-PN16-DN200
563636G0250	BV56-2363-PN16-DN250
563636G0300	BV56-2363-PN16-DN300



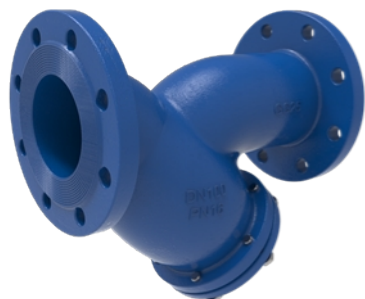
DN/Size	H1	L	Press.Cl.	Weight(kg)
DN50 (2")	178	230	PN16	11.80
DN65 (2 1/2")	211	290	PN16	16.50
DN80 (3")	220	310	PN16	19.00
DN100 (4")	226	350	PN16	24.90
DN125 (5")	264	400	PN16	35.60
DN150 (6")	309	480	PN16	51.90
DN200 (8")	410	600	PN16	92.30
DN250 (10")	444	730	PN16	142.00
DN300 (12")	486	850	PN16	210.00

Item 1	Item 2	Item 3	Item 4
Body Material	Screen Material	Gasket Material	Plug Material
Cast iron : GG25 + Epoxy powder coating (internal and external)	Stainless steel : A182-F304	Graphite	Stainless steel : A182-F304

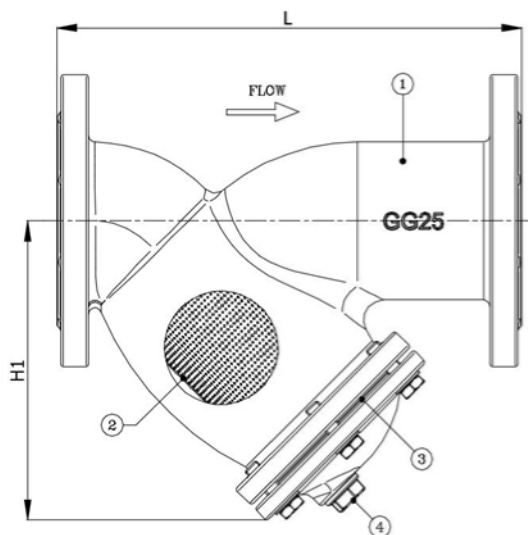
BV56-2363-PN16

Y-type strainer, flanged PN16, with perforated screen, with drain plug

Face to Face Standard: EN-558-1 series 1 (DIN3202 F1)



Item Number	Belven Ref
563636G0350	BV56-2363-PN16-DN350
563636G0400	BV56-2363-PN16-DN400



DN/Size	H1	L	Press.Cl.	Weight(kg)
DN350 (14")	595	980	PN16	284.70
DN400 (16")	673	1100	PN16	399.00

Item 1	Item 2	Item 3	Item 4
Body Material	Screen Material	Gasket Material	Plug Material
Cast iron : GG25 + Epoxy powder coating (internal and external)	Stainless steel : A182-F304	Graphite	Stainless steel : A182-F304