

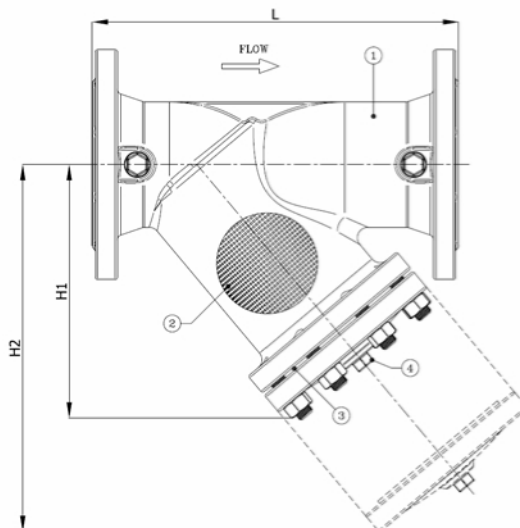
## BV56-2463-PN16

Y-type strainer, flanged PN16, with primary coating suitable for hot water, with drain plug

Face to Face Standard: EN-558-1 series 1 (DIN3202 F1)



Item Number	Belven Ref
563646G0015	BV56-2463-PN16-DN015
563646G0020	BV56-2463-PN16-DN020
563646G0025	BV56-2463-PN16-DN025
563646G0032	BV56-2463-PN16-DN032
563646G0040	BV56-2463-PN16-DN040



DN/Size	H1	H2	L	Press.Cl.	Weight(kg)
DN15 (1/2")	75	115	130	PN16	2.20
DN20 (3/4")	75	115	150	PN16	3.30
DN25 (1")	90	135	160	PN16	3.80
DN32 (1 1/4")	90	135	180	PN16	5.00
DN40 (1 1/2")	110	170	200	PN16	6.80

Item 1	Item 2	Item 3	Item 4
Body Material	Screen Material	Gasket Material	Plug Material
Ductile iron : GGG40 + primary red coating (internal and external)	Stainless steel : A182-F304	Graflit	Galvanized steel

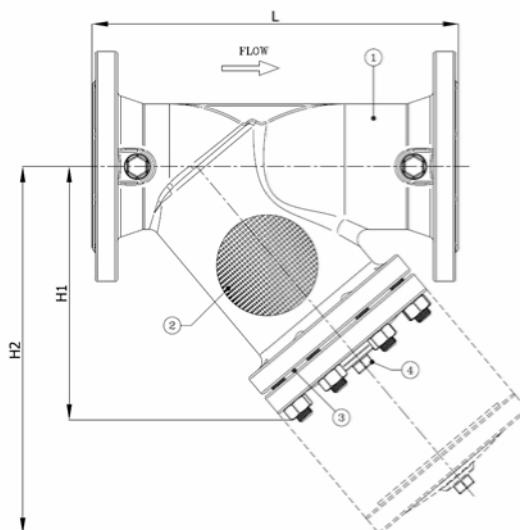
## BV56-2463-PN16

Y-type strainer, flanged PN16, with primary coating suitable for hot water, with drain plug

Face to Face Standard: EN-558-1 series 1 (DIN3202 F1)



Item Number	Belven Ref
563646G0050	BV56-2463-PN16-DN050
563646G0065	BV56-2463-PN16-DN065
563646G0080	BV56-2463-PN16-DN080
563646G0100	BV56-2463-PN16-DN100
563646G0125	BV56-2463-PN16-DN125
563646G0150	BV56-2463-PN16-DN150
563646G0200	BV56-2463-PN16-DN200
563646G0250	BV56-2463-PN16-DN250
563646G0300	BV56-2463-PN16-DN300



DN/Size	H1	H2	L	Press.Cl.	Weight(kg)
DN50 (2")	140	210	230	PN16	7.50
DN65 (2 1/2")	160	240	290	PN16	11.20
DN80 (3")	190	320	310	PN16	15.40
DN100 (4")	240	360	350	PN16	23.20
DN125 (5")	275	425	400	PN16	33.50
DN150 (6")	310	485	480	PN16	47.10
DN200 (8")	440	660	600	PN16	99.50
DN250 (10")	470	680	730	PN16	162.00
DN300 (12")	560	820	850	PN16	280.00

Item 1	Item 2	Item 3	Item 4
Body Material	Screen Material	Gasket Material	Plug Material
Ductile iron : GGG40 + primary red coating (internal and external)	Stainless steel : A182-F304	Grafilit	Galvanized steel