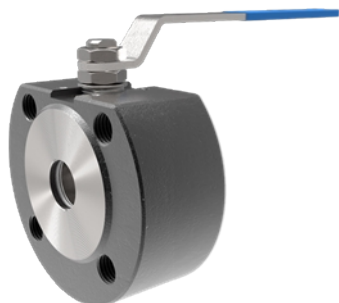


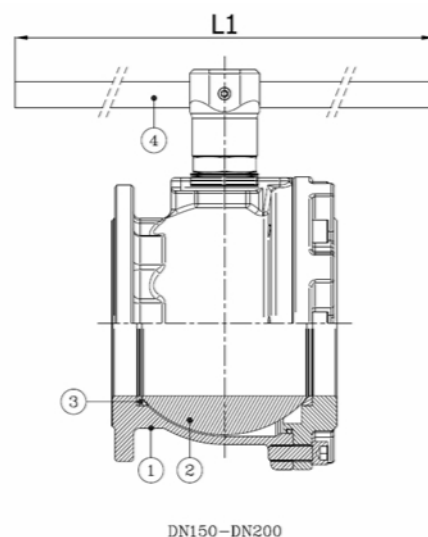
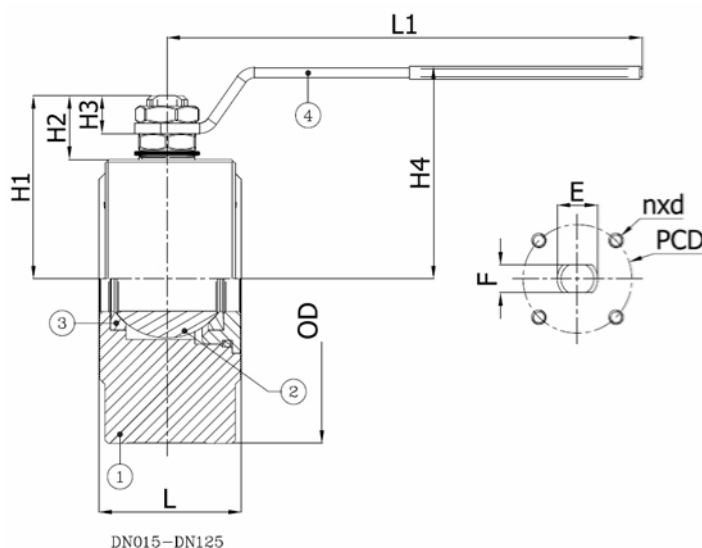
BV8-2463T-PN16

Ball valve, full bore, wafer type body, to be mounted between flanges PN16, with lever

Face to Face Standard: Factory standard



Item Number	Belven Ref
083056T1015	BV8-2363T-PN16-DN015
083056T1020	BV8-2363T-PN16-DN020
083056T1025	BV8-2363T-PN16-DN025
083056T1032	BV8-2363T-PN16-DN032
083056T1040	BV8-2363T-PN16-DN040
083056T1050	BV8-2363T-PN16-DN050



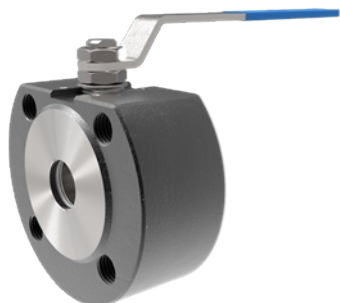
DN/Size	F	H1	H2	H3	H4	OD	L	L1	ISO	PCD	n x d	E	Press.Cl.	Weight(kg)
DN15 (1/2")	7	47	15,5	9	65	90	35	131	F03	32	4 x M5	10	PN16	1.30
DN20 (3/4")	7	51,5	15,5	9	69	100	40	131	F03	32	4 x M5	10	PN16	1.90
DN25 (1")	8	61	19,5	11	80	110	46	174	F04	42	4 x M5	12	PN16	2.70
DN32 (1 1/4")	8	65,5	16,5	11	84	130	54	174	F04	42	4 x M5	12	PN16	4.20
DN40 (1 1/2")	10	78	24,5	13	102	140	63,5	250	F05	50	4 x M6	16	PN16	5.90
DN50 (2")	10	87	25	13	111	150	82	250	F05	50	4 x M6	16	PN16	8.70

Item 1	Item 2	Item 3	Item 4
Body Material	Ball Material	Seat Material	Actuator Material
Carbon steel : A216 WCB	Stainless steel : A182-F304 / A351-CF8	PTFE	Carbon steel

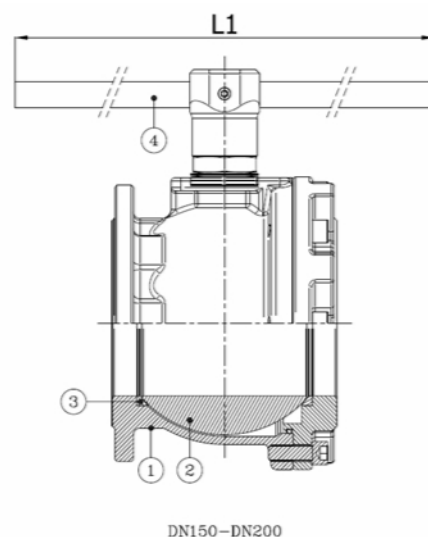
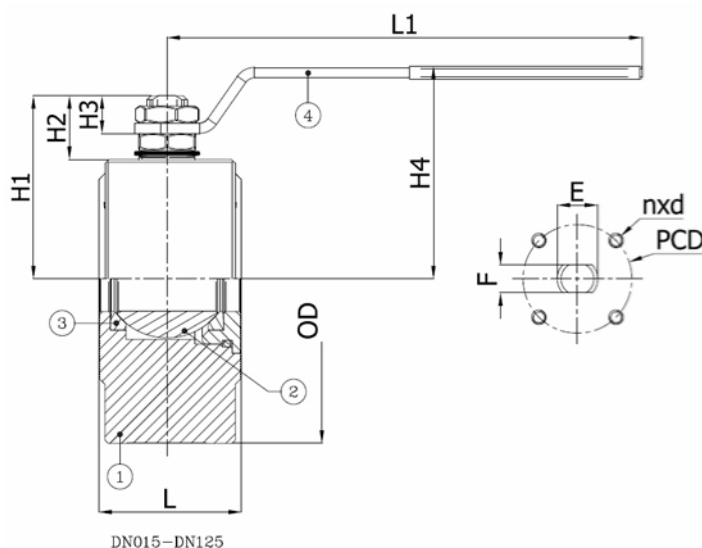
BV8-2463T-PN16

Ball valve, full bore, wafer type body, to be mounted between flanges PN16, with lever

Face to Face Standard: Factory standard



Item Number	Belven Ref
083056T1065	BV8-2363T-PN16-DN065
083056T1080	BV8-2363T-PN16-DN080
083056T1100	BV8-2363T-PN16-DN100
083056T1125	BV8-2363T-PN16-DN125
083056T1150	BV8-2363T-PN16-DN150
083056T1200	BV8-2363T-PN16-DN200



DN/Size	F	H1	H2	H3	H4	OD	L	L1	ISO	PCD	n x d	E	Press.Cl.	Weight(kg)
DN65 (2 1/2")	14	104,5	28	18	128	175	103	321	F07	70	4 x M8	20	PN16	15.50
DN80 (3")	14	115	28,5	18	138	190	122	321	F07	70	4 x M8	20	PN16	20.50
DN100 (4")	18	137	34,5	22	156	220	152	381	F10	102	4 x M10	24	PN16	34.20
DN125 (5")	18	159	34	22	178	250	196	381	F10	102	4 x M10	24	PN16	52.50
DN150 (6")	30	201,5	51,5	30	266	300	232	700	F12	125	4 x M12	42	PN16	61.80
DN200 (8")	30	288	68	28	332	340	400	700	F12	125	4 x M12	42	PN16	104.00

Item 1	Item 2	Item 3	Item 4
Body Material	Ball Material	Seat Material	Actuator Material
Carbon steel : A216 WCB	Stainless steel : A182-F304 / A351-CF8	PTFE	Carbon steel