

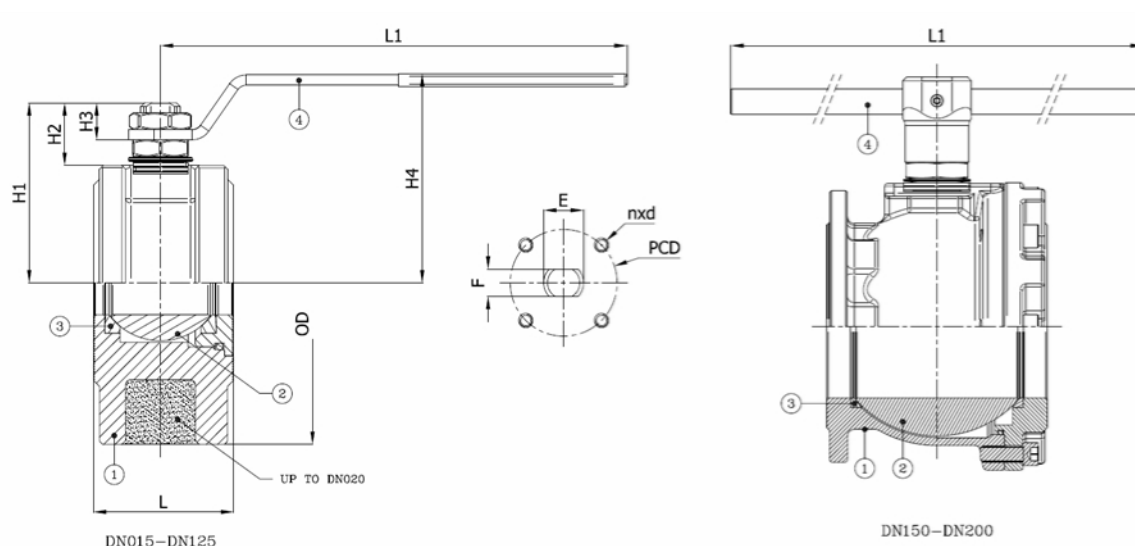
## BV8-6666T-PN16

Ball valve, full bore, wafer type body, to be mounted between flanges PN16, with lever

*Face to Face Standard:* Factory standard



Item Number	Belven Ref
083077T1015	BV8-6666T-PN16-DN015
083077T1020	BV8-6666T-PN16-DN020
083077T1025	BV8-6666T-PN16-DN025
083077T1032	BV8-6666T-PN16-DN032
083077T1040	BV8-6666T-PN16-DN040
083077T1050	BV8-6666T-PN16-DN050



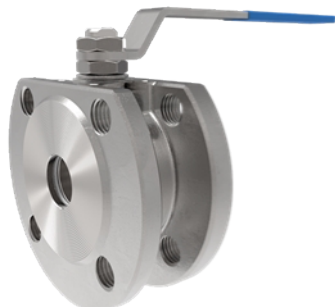
DN/Size	F	H1	H2	H3	H4	OD	L	L1	ISO	PCD	n x d	E	Press.Cl.	Weight(kg)
DN15 (1/2")	7	47	15,5	9	65	90	35	131	F03	32	4 x M5	10	PN16	1.30
DN20 (3/4")	7	51,5	15,5	9	69	100	40	131	F03	32	4 x M5	10	PN16	1.90
DN25 (1")	8	61	17	11	80	110	46	174	F04	42	4 x M5	12	PN16	2.20
DN32 (1 1/4")	8	64,5	15	11	84	140	54	174	F04	42	4 x M5	12	PN16	3.30
DN40 (1 1/2")	10	78	24,5	13	102	150	63,5	250	F05	50	4 x M6	16	PN16	4.20
DN50 (2")	10	87	25	13	111	165	82	250	F05	50	4 x M6	16	PN16	6.10

Item 1	Item 2	Item 3	Item 4
<i>Body Material</i>	<i>Ball Material</i>	<i>Seat Material</i>	<i>Actuator Material</i>
Stainless steel : A182-F316 / A351 CF8M	Stainless steel : A182-F316 / A351 CF8M	PTFE	Carbon steel

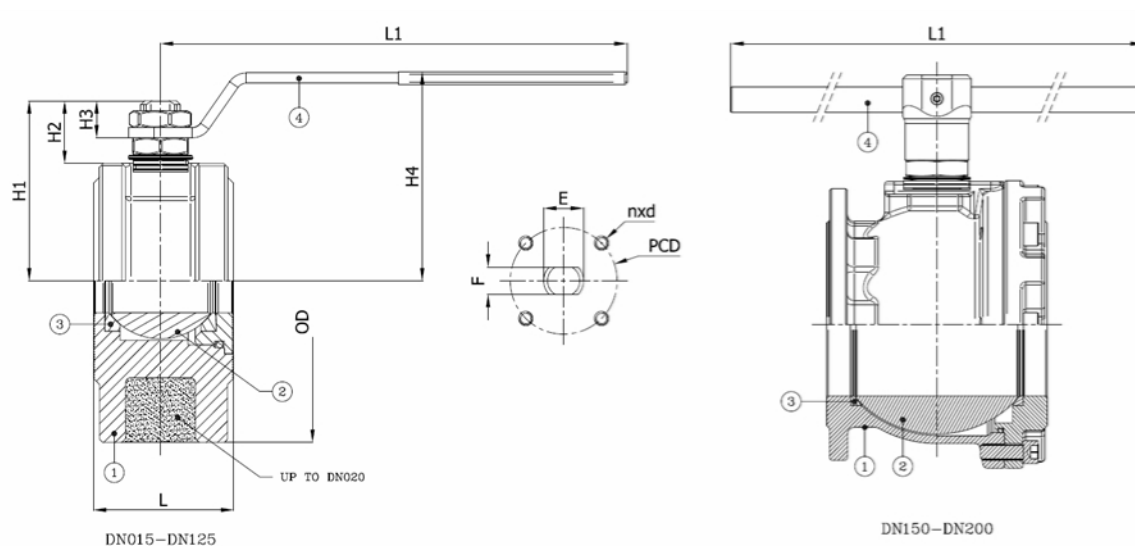
## BV8-6666T-PN16

Ball valve, full bore, wafer type body, to be mounted between flanges PN16, with lever

*Face to Face Standard:* Factory standard



Item Number	Belven Ref
083077T1065	BV8-6666T-PN16-DN065
083077T1080	BV8-6666T-PN16-DN080
083077T1100	BV8-6666T-PN16-DN100
083077T1125	BV8-6666T-PN16-DN125
083077T1150	BV8-6666T-PN16-DN150
083077T1200	BV8-6666T-PN16-DN200



DN/Size	F	H1	H2	H3	H4	OD	L	L1	ISO	PCD	n x d	E	Press.Cl.	Weight(kg)
DN65 (2 1/2")	14	104,5	25	18	128	185	103	321	F07	70	4 x M8	20	PN16	10.00
DN80 (3")	14	115	28,5	18	138	200	122	321	F07	70	4 x M8	20	PN16	13.50
DN100 (4")	18	137	34,5	22	156	220	152	381	F10	102	4 x M10	24	PN16	20.90
DN125 (5")	18	159	34	22	178	250	196	381	F10	102	4 x M10	24	PN16	37.50
DN150 (6")	30	201,5	51,5	30	266	285	232	700	F12	125	4 x M12	42	PN16	61.50
DN200 (8")	30	288	68	28	332	340	400	700	F12	125	4 x M12	42	PN16	104.00

Item 1	Item 2	Item 3	Item 4
Body Material	Ball Material	Seat Material	Actuator Material
Stainless steel : A182-F316 / A351 CF8M	Stainless steel : A182-F316 / A351 CF8M	PTFE	Carbon steel