

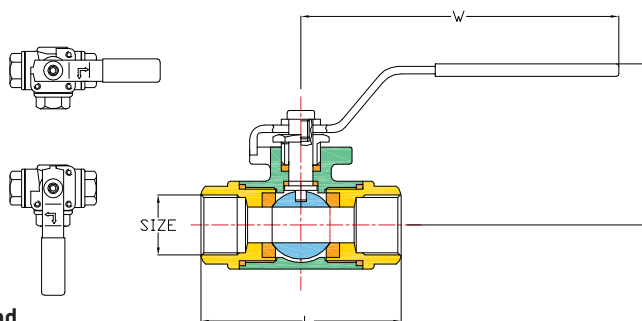
BV 6

EXECUTION



- Three-way ball valve, L or T-bore
- Reduced bore
- End connections according to BSP or NPT
- Face to face dimensions according to our production standard

Also available with direct mounting pad.



MATERIAL

	BRASS	STAINLESS STEEL
BODY	CW617N UNI EN 12165	A351 CF8M
END CONNECTION	CW617N UNI EN 12165	A351 CF8M
BALL	CW617N UNI EN 12164	A182 F316
SEAT	PTFE	PTFE
BV TYPE L-PORT	BV6-3600L	BV6-6666T-L
BV TYPE T-PORT	BV6-3500T	BV6-6666T-T

DIMENSIONS

SIZE		L	W	H	L	W	H
DN 08	1/4"	67,0	120,0	62,0	79,0	158,0	66,0
DN 10	3/8"	67,0	120,0	62,0	79,0	158,0	66,0
DN 15	1/2"	77,0	120,0	64,0	79,0	158,0	66,0
DN 20	3/4"	87,0	170,0	75,0	86,0	158,0	75,0
DN 25	1"	105,0	170,0	80,5	108,0	186,0	78,0
DN 32	1 1/4"	122,4	170,0	93,0	124,0	213,0	93,0
DN 40	1 1/2"	138,4	230,0	111,0	134,0	237,0	96,0
DN 50	2"	166,0	230,0	122,0	164,0	237,0	96,0
				BV6-3600L / BV6-3500T	BV6-6666T-L / BV6-6666T-T		

Dimensions in mm