



DRV 602-6
(DN 65 - DN 150)



Media

In our series for drinking water, all materials comply with the requirements of the European Drinking Water Ordinance. The elastomers have ELL and W270 approval, all metals used are listed in the positive list of the Federal Environment Agency. This means that you can use this series without hesitation for the medium drinking water.

Pressure reducing valve
Flange • Drinking water
Red bronze

Pressure reducing valves of the series are diaphragm-controlled, spring-loaded pressure reducing valves and have an inlet pressure compensation.

DGRL 2014/68/EU **CE**

Classification societies

- DNV GL
- LR
- BV
- ABS
- CCS

Customs tariff number

84811099



Features

- pressure-relieved single seated valve
- diaphragm-controlled
- continuously adjustable outlet pressure
- max. inlet pressure up to 16 bar
- outlet pressure : 1,5 - 6 bar
- flanges acc. DIN EN 1092 PN 25 (DN 65 & DN 80)
- flanges acc. DIN EN 1092 PN 16, (DN 100 to DN 150)
- seals with ELL and W270 approval
- metals listed in the positive list of the Federal Environment Agency
- assembly position: any desired, preferably vertical
- minimum pressure difference (inlet/outlet pressure): 1 bar

Pressures



max. 16 bar



1,5 - 6 bar

Connections



Flange connection
acc. DIN EN 10920 PN 25 (DN 65 & DN 80)
acc. DIN EN 10920 PN 16 (DN 100 to DN 150)

Materials

	body	spring bonnet	membrane & seals	wetted parts	max. temperature
standard version	red bronze CC499K	cast iron	EPDM with ELL and W270	brass	100 °C



Temperatures

Various options for the seals and wetted parts allow a maximum temperature of up to 100°C.



from -15 °C up to +100 °C

Seals and temperatures

EPDM* -15°C to +100°C

* drinking water compliant with EEL & W270



Technical data

nominal size	65	80	100	125	150
--------------	----	----	-----	-----	-----

Pressures

max. 16 bar



max. inlet pressure [bar]

DRV 602-6

16

1,5 - 6 bar



outlet pressure [bar]

DRV 602-6

1,5 - 6

Connections

Flange connection
from DN 65 to DN 150



dimensions [mm]

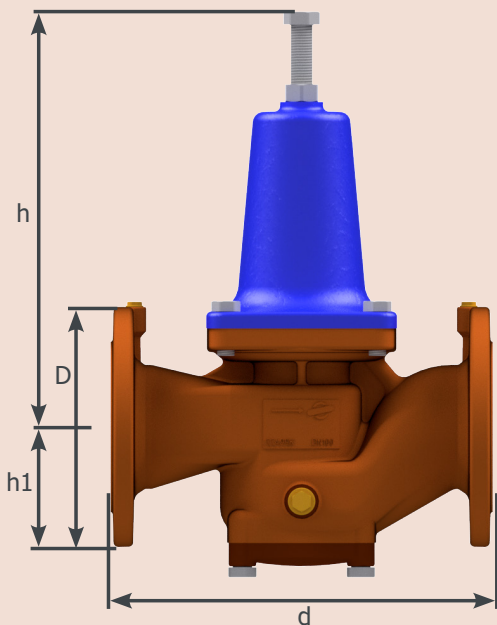
DRV 602-6	b	290	310	350	400	480
	D	185	200	220	250	285
	h	380	382	397	560	560
	h1	136	137	139	185	185

weight [kg]

DRV 602-6	33,4	39,6	37,8	88,6	98,1
-----------	------	------	------	------	------

kvs-value [m³/h]

DRV 602-6	48	60	70	170	210
-----------	----	----	----	-----	-----





Article number

nominal size	65	80	100	125	150
standard version					
DRV 602-6	006208	006209	006210	006211	006212

Manometer

diameter	connection	body	pressure range	max. temp.	art. no.
50 mm	G 1/4", central back	steel	0 - 4 bar	60°C	009001
50 mm	G 1/4", central back	steel	0 - 10 bar	60°C	009002

Flow diagram

