



DRV 502 • DRV 508
Type A (DN 15 - DN 32)



DRV 502 • DRV 508
Type B (DN 40 - DN 80)



Media

The pressure reducers are suitable for use with water and neutral, non-adhesive liquids, but can also be used for air and neutral gases when larger flow rates are required.

For the media drinking water or sea water we refer to our special series DRV -6 or DRV -SW.



Special version seawater (-SW)

In this special version for seawater, all materials in contact with the media are seawater resistant. Smaller nominal diameters up to DN 32 are equipped with a removable cartridge made of POM and red-bronze. For nominal sizes DN 40 and larger, the internal parts are made completely of red-bronze.

**Pressure reducing valve
Flange • Standard pressure
Red bronze**

Pressure reducing valves of the series are diaphragm-controlled, spring-loaded pressure reducing valves and have an inlet pressure compensation.

DGRL 2014/68/EU **CE**

Classification societies

- DNV GL
- LR
- BV
- ABS
- CCS

Customs tariff number

84811005



Features

- pressure-relieved single seated valve
- diaphragm-controlled
- continuously adjustable outlet pressure
- max. inlet pressure up to 40 bar
- outlet pressure : 1,5 - 10 bar
- Flanges acc. DIN EN 1092 PN 40 (DN 15 to DN 50)
- Flanges acc. DIN EN 1092 PN 25, (DN 65 to DN 80)
- optionally all sizes with ANSI or JIS flanges
- optionally DN 65 with PN 16 flanges
- with integrated strainer filter
- replaceable inner parts
- double-ended G 1/4" manometer fitting (for outlet pressure)
- assembly position: any desired, preferably vertical
- minimum pressure difference (inlet/outlet pressure): 1 bar

Pressures



max. 40 bar



1,5 - 10 bar

Connections



Flanges
acc. DIN EN 10920 PN 40 (DN 15 to DN 50)
acc. DIN EN 10920 PN 25 (DN 65 to DN 80)

Materials



Temperatures

Various options for the seals and wetted parts allow a maximum temperature of up to 190°C.



from -30 °C up to +190 °C

Seals and temperatures

NBR	-15°C to +100°C
EPDM*	-30°C to +130°C
FPM	-10°C to +190°C

Special version for high temperature(-HT)

Often the temperature resistance of standard pressure reducers is not sufficient for your application. For such applications, various variants of the -HT series are available. This high temperature series is equipped with FPM seals. Thus, a maximum temperature resistance of 190°C is achieved with FPM seals in combination with metallic internal parts.

Please note that these pressure reducers are not suitable for use with steam.

	body	spring bonnet	seals	wetted parts	max. temperature
standard version	red bronze CC499K	up to DN 32 brass from DN 40 cast iron	NBR optionally EPDM*, FPM	up to DN 32 Hostaform C & brass from DN 40 brass	100 °C

special version:



high temperature (-HT)	red bronze CC499K	up to DN 32 brass from DN 40 cast iron	FPM	brass	190 °C
------------------------	----------------------	---	-----	-------	--------



sea water (-SW)	red bronze CC499K	up to DN 32 brass from DN 40 cast iron	NBR	up to DN 32 Hostaform C & red bronze from DN 40 red bronze	100 °C
-----------------	----------------------	---	-----	--	--------

* w/o DN 32



Technical data

nominal size	15	20	25	32	40	50	65	80
--------------	----	----	----	----	----	----	----	----

Type

A

B

Pressures

max. inlet pressure [bar]

max. 40 bar



DRV 502	40	25
DRV 508	40	25

outlet pressure [bar]

1,5 - 10 bar



DRV 502	1,5 - 6	1,5 - 6
DRV 508	1,5 - 10	1,5 - 10

Connections

dimensions [mm]

Flange connection
from DN 15 to DN 80



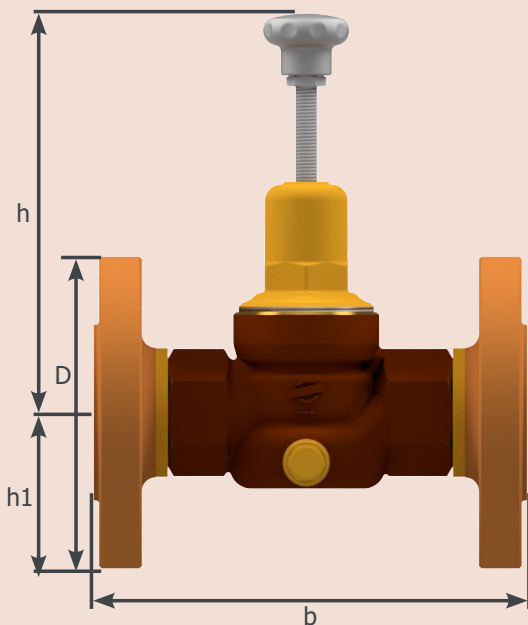
	DN	A				B			
		15	20	25	32	40	50	65	80
all types	b	130	150	160	180	200	230	290	310
	D	95	105	115	140	150	165	185	200
	h1	48	53	58	70	75	83	93	100
DRV 502	h	139	140	138	136	239	243	256	256
DRV 508		136	137	136	131	313	320	331	331

weight [kg]

DRV 502	2,4	3,3	4,1	5,9	9,2	12,3	18,0	20,7
DRV 508	2,4	3,3	4,1	5,9	9,6	12,8	18,6	21,4

kvs-value [m³/h]

all types	2,9	3,9	5,4	6,1	9	13	17	18
-----------	-----	-----	-----	-----	---	----	----	----





Article number

nominal size	15	20	25	32	40	50	65	80
standard version								
DRV 502	050202	050203	050204	050205	050206	050207	050208	050209
DRV 508	050802	050803	050804	050805	050806	050807	050808	050809
special version								
high temperature -HT	art.no. standard + -00130				art.no. standard + -00030			
sea water -SW	art.no. standard + -00500				art.no. standard + -00200			

Standard article numbers are 6 digits, article numbers for additional options are 11 digits. (See next page for an overview of options)

Manometer

diameter	connection	body	pressure range	max. temp.	art.no.
50 mm	G 1/4", central back	steel	0 - 4 bar	60°C	009001
50 mm	G 1/4", central back	steel	0 - 10 bar	60°C	009002
63 mm	G 1/4", central back	stainless steel	0 - 10 bar	60°C	009015
63 mm	G 1/4", central back	stainless steel	0 - 10 bar	200°C	009014



Options

C C - connections

00 -	DIN EN 10920 PN 40/ 25	standard
54 -	DIN EN 10920 PN 16	only DN 65
61 -	ANSI B 16.5 RF	class 150 lbs
75 -	JIS B2220	16K

E - elastomers

0 -	NBR	standard
2 -	EPDM	except DN 32
3 -	FPM	

M - material wetted parts

0 -	brass/ POM	standard up to DN 32
0 -	brass	standard from DN 40
1 -	brass	DN 15 to DN 32
2 -	red bronze	
5 -	red bronze/ POM	only DN 15 to DN 32

f - finishes

0 -	without additional finishes
1 -	inside + outside nickel plated
3 -	inside + outside chrome-plated
5 -	inside + outside chemically nickel-plated

Configuration example of an article number with additional options

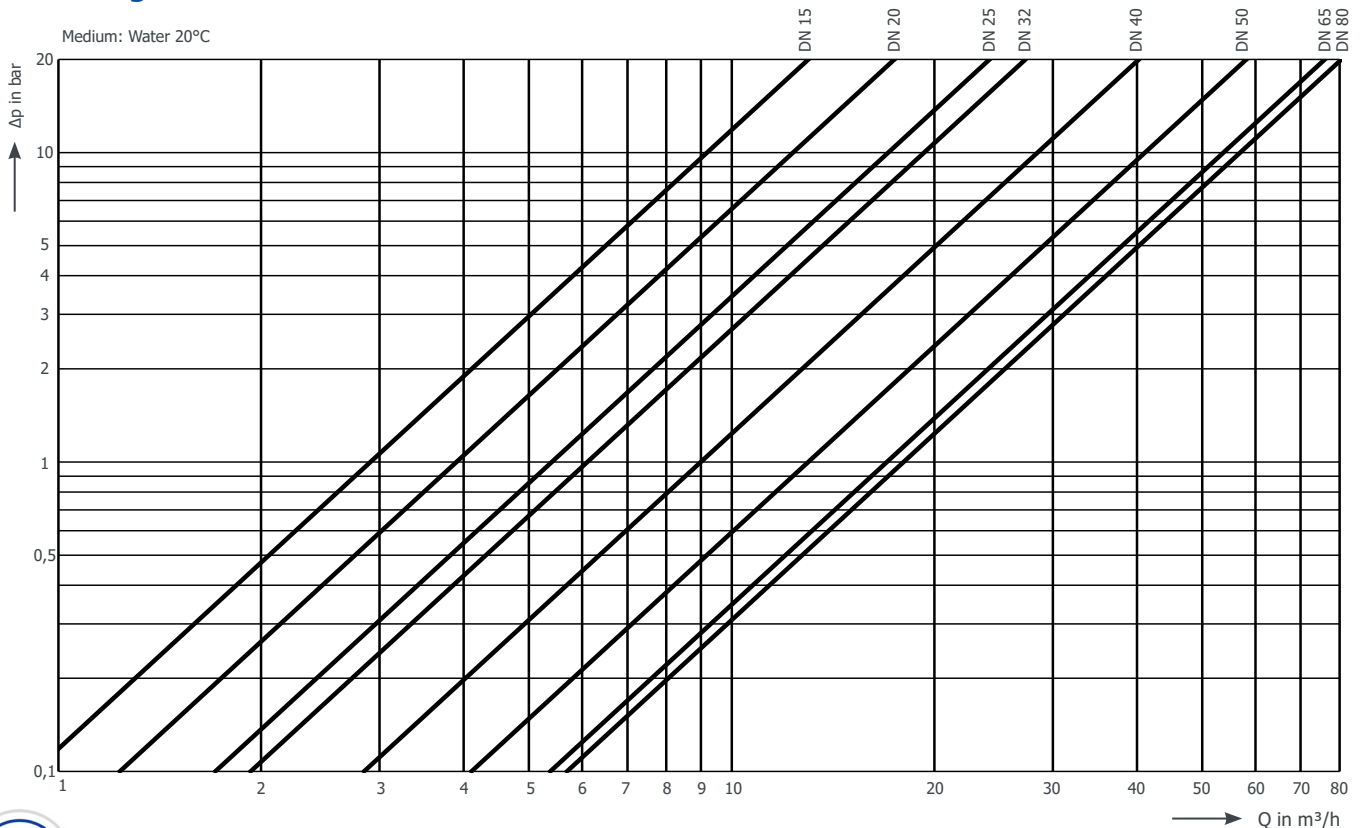
inlet pressure: 10 bar
seals: EPDM

outlet pressure: 4 bar
temperature: 30 °C

connection: DN 50 ANSI B 16.5 RF
without additional finishes

art.no. standard version							-	C	C	M	E	F
0	5	0	2	0	7	-	6	1	0	2	0	

Flow diagram





DRV 502-6
(DN 15 - DN 80)



Media

In our series for drinking water, all materials comply with the requirements of the European Drinking Water Ordinance. The elastomers have ELL and W270 approval, all metals used are listed in the positive list of the Federal Environment Agency. This means that you can use this series without hesitation for the medium drinking water.

**Pressure reducing valve
Flange • Drinking water
Red bronze**

Pressure reducing valves of the series are diaphragm-controlled, spring-loaded pressure reducing valves and have an inlet pressure compensation.

DGRL 2014/68/EU **CE**

Classification societies

- DNV GL
- LR
- BV
- ABS
- CCS

Customs tariff number

84811005



Features

- pressure-relieved single seated valve
- diaphragm-controlled
- continuously adjustable outlet pressure
- max. inlet pressure up to 16 bar
- outlet pressure : 1,5 - 6 bar
- Flanges acc. DIN EN 1092 PN 40 (DN 15 to DN 50)
- Flanges acc. DIN EN 1092 PN 25 (DN 65 to DN 80)
- with integrated strainer filter
- replaceable inner parts
- seals with ELL and W270 approval
- metals listed in the positive list of the Federal Environment Agency
- double-ended G 1/4" manometer fitting (only for outlet pressure for DN 15 to DN 50)
- assembly position: any desired, preferably vertical
- minimum pressure difference (inlet/outlet pressure): 1 bar

Pressures



max. 16 bar



1,5 - 6 bar

Connections



Flanges
DIN EN 1092 PN 40 (DN 15 to DN 50)
DIN EN 1092 PN 25 (DN 65 to DN 80)

Materials

	body	spring bonnet	membrane & seals	wetted parts	max. temperature
standard version	red bronze CC499K	up to DN 32 brass from DN 40 cast iron	EPDM with ELL & W270	up to DN 32 Hostaform C & brass from DN 40 brass	100 °C



Temperatures

Various options for the seals and wetted parts allow a maximum temperature of up to 100°C.



from -15 °C up to +100 °C

Seals and temperatures

EPDM* -15°C to +100°C

* drinking water compliant with EEL & W270



Technical data

nominal size	15	20	25	32	40	50	65	80
--------------	----	----	----	----	----	----	----	----

Pressures

max. 16 bar



max. inlet pressure [bar]

DRV 502-6

16

1,5 - 6 bar



outlet pressure [bar]

DRV 502-6

1,5 - 6

Connections

Flange connection
from DN 15 to DN 80



dimensions [mm]

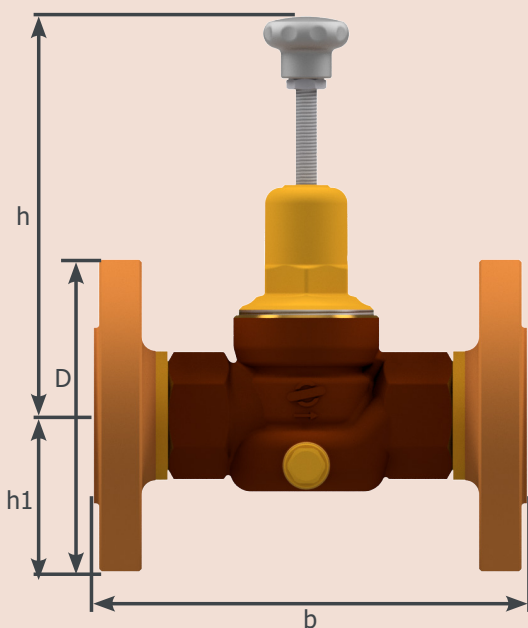
DRV 502-6	b	130	150	160	180	200	230	290	310
	D	95	105	115	140	150	165	185	200
	h	48	53	58	70	75	83	93	100
	h1	139	140	138	136	239	243	256	256

weight [kg]

DRV 502-6	2,4	3,3	4,1	5,9	9,2	12,3	18,0	20,7
-----------	-----	-----	-----	-----	-----	------	------	------

kvs-value [m³/h]

all types	2,9	3,9	5,4	6,1	9	13	17	18
-----------	-----	-----	-----	-----	---	----	----	----





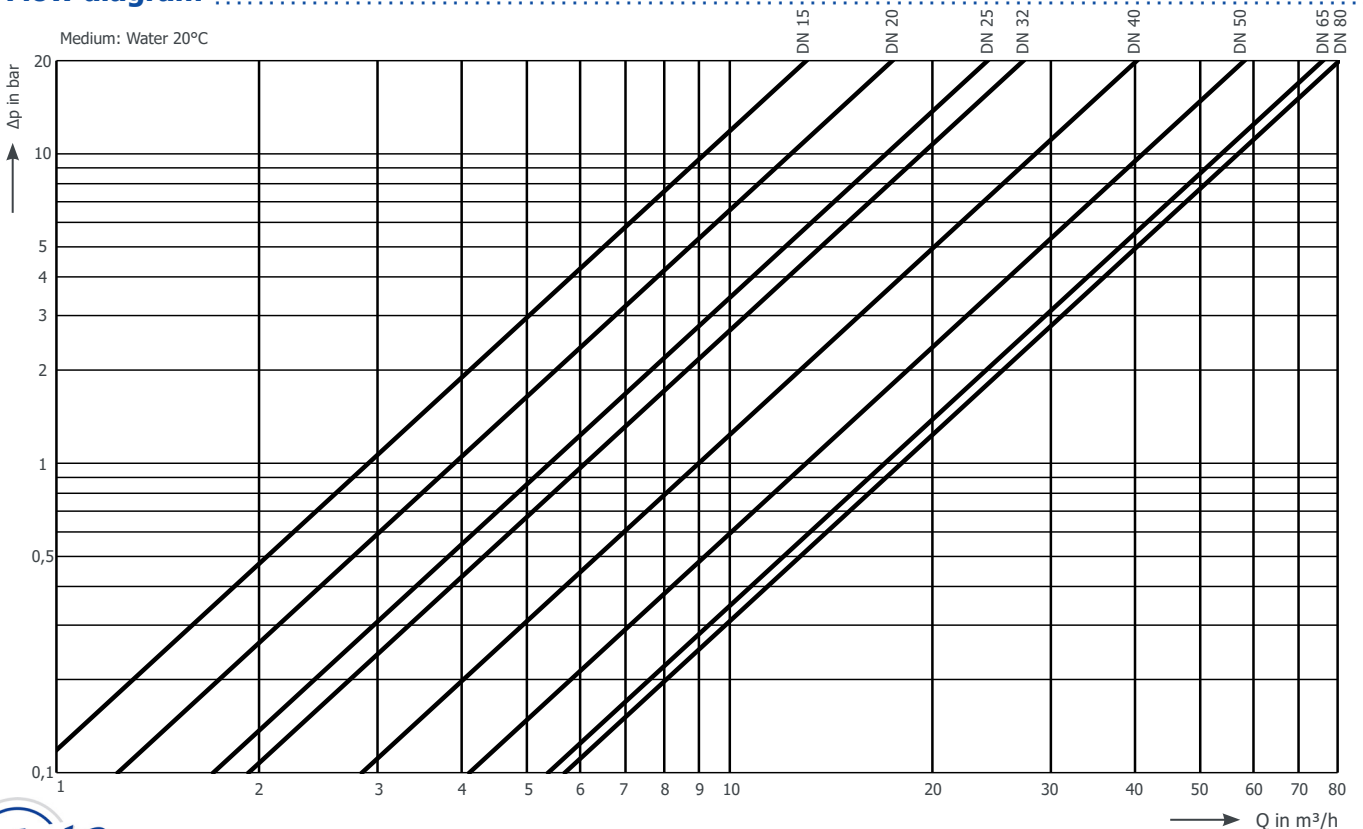
Article number

nominal size	15	20	25	32	40	50	65	80
standard version								
DRV 502-6	005202	005203	005204	005205	005206	005207	005208	005209

Manometer

diameter	connection	body	pressure range	max. temp.	art. no.
50 mm	G 1/4", central back	steel	0 - 4 bar	60°C	009001
50 mm	G 1/4", central back	steel	0 - 10 bar	60°C	009002

Flow diagram





DRV 524 • DRV 525
Type A (DN 15 - DN 32)



DRV 524 • DRV 525
Type B (DN 40 - DN 80)



Media

The pressure reducers are suitable for use with water and neutral, non-adhesive liquids, but can also be used for air and neutral gases when larger flow rates are required.

For the media drinking water or sea water we refer to our special series DRV -6 or DRV -SW.



Special version seawater (-SW)

In this special version for seawater, all materials in contact with the media are seawater resistant. Smaller nominal diameters up to DN 32 are equipped with a removable cartridge made of POM and red-bronze. For nominal sizes DN 40 and larger, the internal parts are made completely of red-bronze.

**Pressure reducing valve
Flange • High pressure
Red bronze**

Pressure reducing valves of the series are piston-controlled, spring-loaded pressure reducing valves and have an inlet pressure compensation.

DGRL 2014/68/EU **CE**

Classification societies

- DNV GL
- LR
- BV
- ABS
- CCS

Customs tariff number

84811005



Features

- pressure-relieved single seated valve
- piston-controlled
- continuously adjustable outlet pressure
- max. inlet pressure up to 40 bar
- outlet pressure : 1,5 - 20 bar
- Flanges acc. DIN EN 1092 PN 40 (DN 15 to DN 50)
- Flanges acc. DIN EN 1092 PN 25 (DN 65 to DN 80)
- optionally all sizes with ANSI or JIS flanges
- optionally DN 65 with PN 16 flanges
- with integrated strainer filter
- replaceable inner parts
- double-ended G 1/4" manometer fitting (for outlet pressure)
- assembly position: any desired, preferably vertical
- minimum pressure difference (inlet/outlet pressure): 1 bar

Pressures



max. 40 bar



1,5 - 20 bar

Connections



Flanges
acc. DIN EN 10920 PN 40 (DN 15 to DN 50)
acc. DIN EN 10920 PN 25 (DN 65 and DN 80)

Materials



Temperatures

Various options for the seals and wetted parts allow a maximum temperature of up to 190°C.



from -30 °C up to +190 °C

Seals and temperatures

NBR	-15°C to +100°C
EPDM*	-30°C to +130°C
FPM	-10°C to +190°C

Special version for high temperature(-HT)

Often the temperature resistance of standard pressure reducers is not sufficient for your application. For such applications, various variants of the -HT series are available. This high temperature series is equipped with FPM seals. Thus, a maximum temperature resistance of 190°C is achieved with FPM seals in combination with metallic internal parts.

Please note that these pressure reducers are not suitable for use with steam.

	body	spring bonnet	seals	wetted parts	max. temperature
standard version	red bronze CC499K	up to DN 32 brass from DN 40 cast iron	NBR optionally EPDM*, FPM	up to DN 32 Hostaform C & brass from DN 40 brass	100 °C

special version:



high temperature (-HT)	red bronze CC499K	up to DN 32 brass from DN 40 cast iron	FPM	brass	190 °C
------------------------	----------------------	---	-----	-------	--------



sea water (-SW)	red bronze CC499K	up to DN 32 brass from DN 40 cast iron	NBR	up to DN 32 Hostaform C & red bronze from DN 40 red bronze	100 °C
-----------------	----------------------	---	-----	--	--------

* only DN 40 to DN 80



Technical data

nominal size	15	20	25	32	40	50	65	80
--------------	----	----	----	----	----	----	----	----

Type		A	B
Pressures			
	max. inlet pressure [bar]		

max. 40 bar		DRV 524	40	25
		DRV 525	40	25

		outlet pressure [bar]	
--	--	-----------------------	--

1,5 - 20 bar		DRV 524	1,5 - 12	1,5 - 12
		DRV 525	2,0 - 20	2,0 - 20

Connections

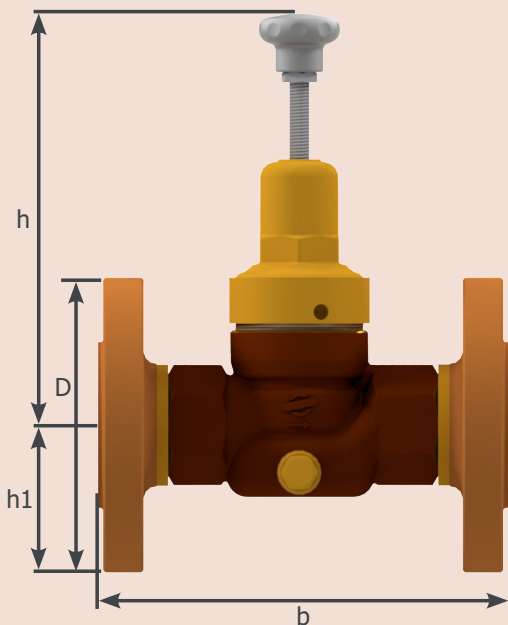
Flange connection
from DN 15 to DN 80



		dimensions [mm]							
	DN	15	20	25	32	40	50	65	80
all types	b	130	150	160	180	200	230	290	310
	D	95	105	115	140	150	165	185	200
	h1	48	53	58	70	75	83	93	100
DRV 524	h	155	156	155	154	302	301	320	320
DRV 525		206	207	206	205	326	326	336	336

		weight [kg]							
DRV 524		2,7	3,6	4,5	6,2	11,7	14,7	20,3	22,3
DRV 525		3,1	3,9	4,8	6,5	11,7	14,7	20,6	23,3

		kvs-value [m³/h]							
all types		2,9	3,9	5,4	6,1	9	13	17	18





Article number

nominal size	15	20	25	32	40	50	65	80
standard version								
DRV 524	052402	052403	052504	052505	052506	052507	052508	052509
DRV 525	052502	052503	052504	052505	052506	052507	052508	052509
special version								
high temperature -HT	art.no. standard + -00130				art.no. standard + -00030			
sea water -SW	art.no. standard + -00500				art.no. standard + -00200			

Standard article numbers are 6 digits, article numbers for additional options are 11 digits. (See next page for an overview of options)

Manometer

diameter	connection	body	pressure range	max. temp.	art.no.
50 mm	G 1/4", central back	steel	0 - 10 bar	60°C	009002
63 mm	G 1/4", central back	steel	0 - 25 bar	60°C	009004
63 mm	G 1/4", central back	stainless steel	0 - 10 bar	200°C	009014
63 mm	G 1/4", central back	stainless steel	0 - 16 bar	200°C	009016



Options

C C - connections

00 -	DIN EN 10920 PN 40/ 25	Standard
54 -	DIN EN 10920 PN 16	nur DN 65
61 -	ANSI B 16.5 RF	class 150 lbs
75 -	JIS B2220	16K

E - elastomers

0 -	NBR	Standard
2 -	EPDM	nur DN 40 bis DN 80
3 -	FPM	

M - material wetted parts

0 -	brass/ POM	standard up to DN 32
0 -	brass	standard from DN 40
1 -	brass	DN 15 to DN 32
2 -	red bronze	
5 -	red bronze/ POM	only DN 15 to DN 32

F - finishes

0 -	without additional finishes
1 -	inside + outside nickel plated
3 -	inside + outside chrome-plated
5 -	inside + outside chemically nickel-plated

Configuration example of an article number with additional options

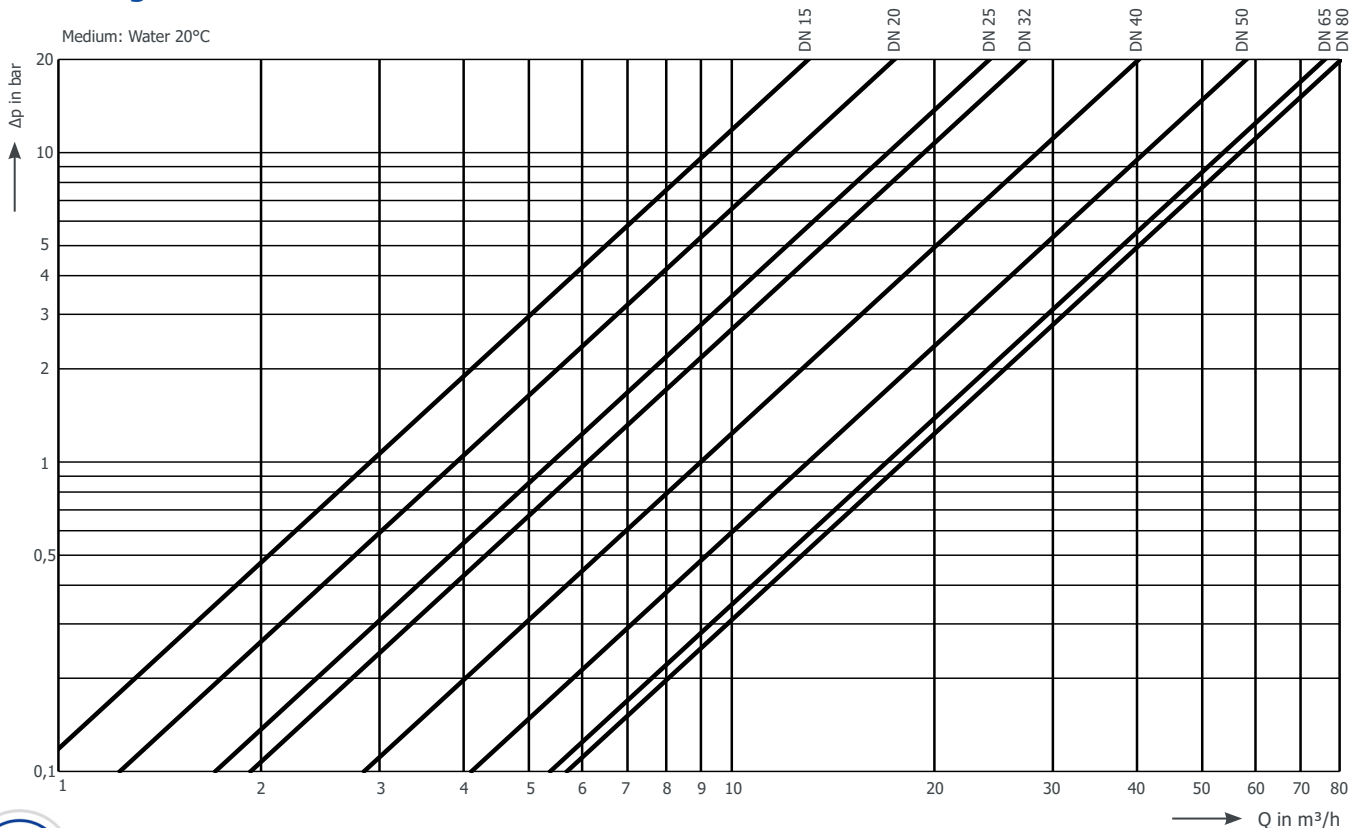
inlet pressure: 20 bar
seals: EPDM

outlet pressure: 15 bar
temperature: 30 °C

connection: DN 50 ANSI B 16.5 RF
without additional finishes

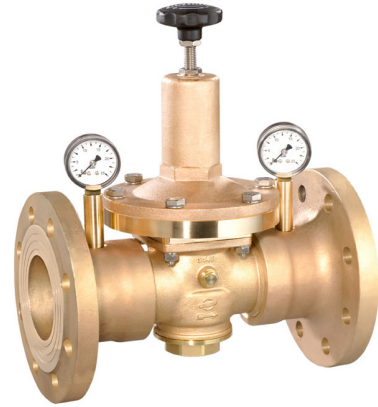
art.no. standard version						-	C	C	M	E	F
0	5	2	5	0	7	-	6	1	0	2	0

Flow diagram





DRV 550
Type A (DN 15 - DN 32)



DRV 550
Type B (DN 40 - DN 80)



Media

The pressure reducers are suitable for use with water and neutral, non-adhesive liquids, but can also be used for air and neutral gases when larger flow rates are required.

For the media drinking water or sea water we refer to our special series DRV -6 or DRV -SW.



Special version seawater (-SW)

In this special version for seawater, all materials in contact with the media are seawater resistant. Smaller nominal diameters up to DN 32 are equipped with a removable cartridge made of POM and red-bronze. For nominal sizes DN 40 and larger, the internal parts are made completely of red-bronze.

Pressure reducing valve
Flange • Low pressure
Red bronze

Pressure reducing valves of the series are diaphragm-controlled, spring-loaded pressure reducing valves and have an inlet pressure compensation.

DGRL 2014/68/EU **CE**

Classification societies

- DNV GL
- LR
- BV
- ABS
- CCS

Customs tariff number

84811005



Features

- pressure-relieved single seated valve
- diaphragm-controlled
- continuously adjustable outlet pressure
- max. inlet pressure up to 16 bar
- outlet pressure : 0,2 - 2 bar
- Flanges acc. DIN EN 1092 PN 40 (DN 15 to DN 50)
- Flanges acc. DIN EN 1092 PN 25 (DN 65 to DN 80)
- optionally all sizes with ANSI or JIS flanges
- optionally DN 65 with PN 16 flanges
- with integrated strainer filter
- replaceable inner parts
- double-ended G 1/4" manometer fitting (for outlet pressure)
- assembly position: any desired, preferably vertical
- minimum pressure difference (inlet/outlet pressure): 1 bar

Pressures



max. 16 bar



0,2 - 2 bar

Connections



Flange
acc. DIN EN 10920 PN 40 (DN 15 to DN 50)
acc. DIN EN 10920 PN 25 (DN 65 to DN 80)

Materials



Temperatures

Various options for the seals and wetted parts allow a maximum temperature of up to 190°C.



from -30 °C up to +190 °C



Seals and temperatures

- NBR* -15°C to +100°C
- EPDM** -30°C to +130°C
- FPM*** -10°C to +190°C

Special version for high temperature(-HT)

Often the temperature resistance of standard pressure reducers is not sufficient for your application. For such applications, various variants of the -HT series are available. This high temperature series is equipped with FPM seals. Thus, a maximum temperature resistance of 190°C is achieved with FPM seals in combination with metallic internal parts.

Please note that these pressure reducers are not suitable for use with steam.

	body	spring bonnet	seals	wetted parts	max. temperature
standard version	red bronze CC499K	up to DN 32 PA6 from DN 40 cast iron	NBR optional ly EPDM**, FPM***	up to DN 32 Hostaform C & brass from DN 40 brass	100 °C*
special version:					
 high temperature (-HT)	red bronze CC499K	up to DN 32 brass	FPM***	brass	190 °C
 sea water (-SW)	red bronze CC499K	up to DN 32 brass from DN 40 cast iron	NBR	up to DN 32 Hostaform C & red bronze from DN 40 red bronze	100 °C

* with plastic bonnet up to 75°C
** except DN 32, ***only DN 15 to DN 32



Technical data

nominal size	15	20	25	32	40	50	65	80
--------------	----	----	----	----	----	----	----	----

Type

A

B

Pressures

max. inlet pressure [bar]

max. 16 bar



DRV 550

16

16

outlet pressure [bar]

0,2 - 2 bar



DRV 550

0,2 - 2

0,2 - 2

Connections

dimensions [mm]

Flange connection
from DN 15 to DN 80



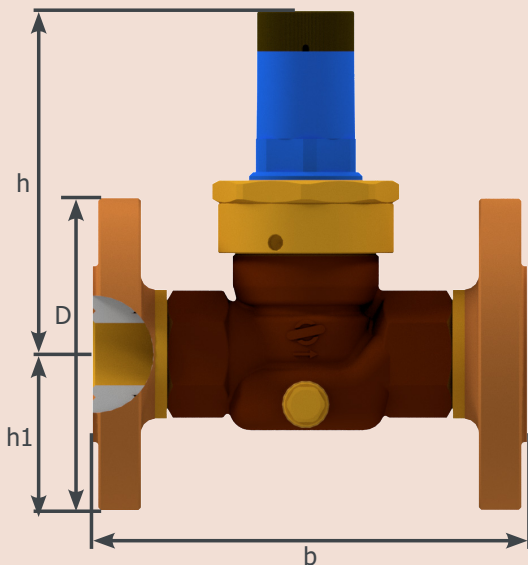
	DN	15	20	25	32	40	50	65	80
	b	130	150	160	180	200	230	290	310
DRV 550	D	95	105	115	140	150	165	185	200
	h1	48	53	58	70	75	83	93	100
	h	127	130	127	128	310	310	323	323

weight [kg]

DRV 550	2,7	3,6	4,5	6,2	13,2	15,7	21,9	24,7
---------	-----	-----	-----	-----	------	------	------	------

kvs-value [m³/h]

DRV 550	2,9	3,9	5,4	6,1	9	13	17	18
---------	-----	-----	-----	-----	---	----	----	----





Article number

nominal size	15	20	25	32	40	50	65	80
standard version								
DRV 550	055002	055003	055004	055005	055006	055007	055008	055009
special version								
high temperature -HT	art.no. standard + -00130			--				
sea water -SW	art.no. standard + -00500			art.no. standard + -00200				

Standard article numbers are 6 digits, article numbers for additional options are 11 digits. (See next page for an overview of options)

Manometer

diameter	connection	body	pressure range	max. temp.	art.no.
50 mm	G 1/4", central back	steel	0 - 4 bar	60°C	009001
50 mm	G 1/4", central back	steel	0 - 10 bar	60°C	009002
63 mm	G 1/4", central back	stainless steel	0 - 10 bar	60°C	009015
63 mm	G 1/4", central back	stainless steel	0 - 10 bar	200°C	009014



Options

C C - connections

00 -	DIN EN 10920 PN 40/ 25	standard
54 -	DIN EN 10920 PN 16	only DN 65
61 -	ANSI B 16.5 RF	class 150 lbs
75 -	JIS B2220	16K

E - elastomers

0 -	NBR	standard
2 -	EPDM	except DN 32
3 -	FPM	only DN 15 - DN 32

M - material wetted parts

0 -	brass/ POM	standard up to DN 32
0 -	brass	standard from DN 40
1 -	brass	DN 15 to DN 32
2 -	red bronze	
5 -	red bronze/ POM	only DN 15 to DN 32

F - finishes

0 -	without additional finishes
1 -	inside + outside nickel plated
3 -	inside + outside chrome-plated
5 -	inside + outside chemically nickel-plated

Configuration example of an article number with additional options

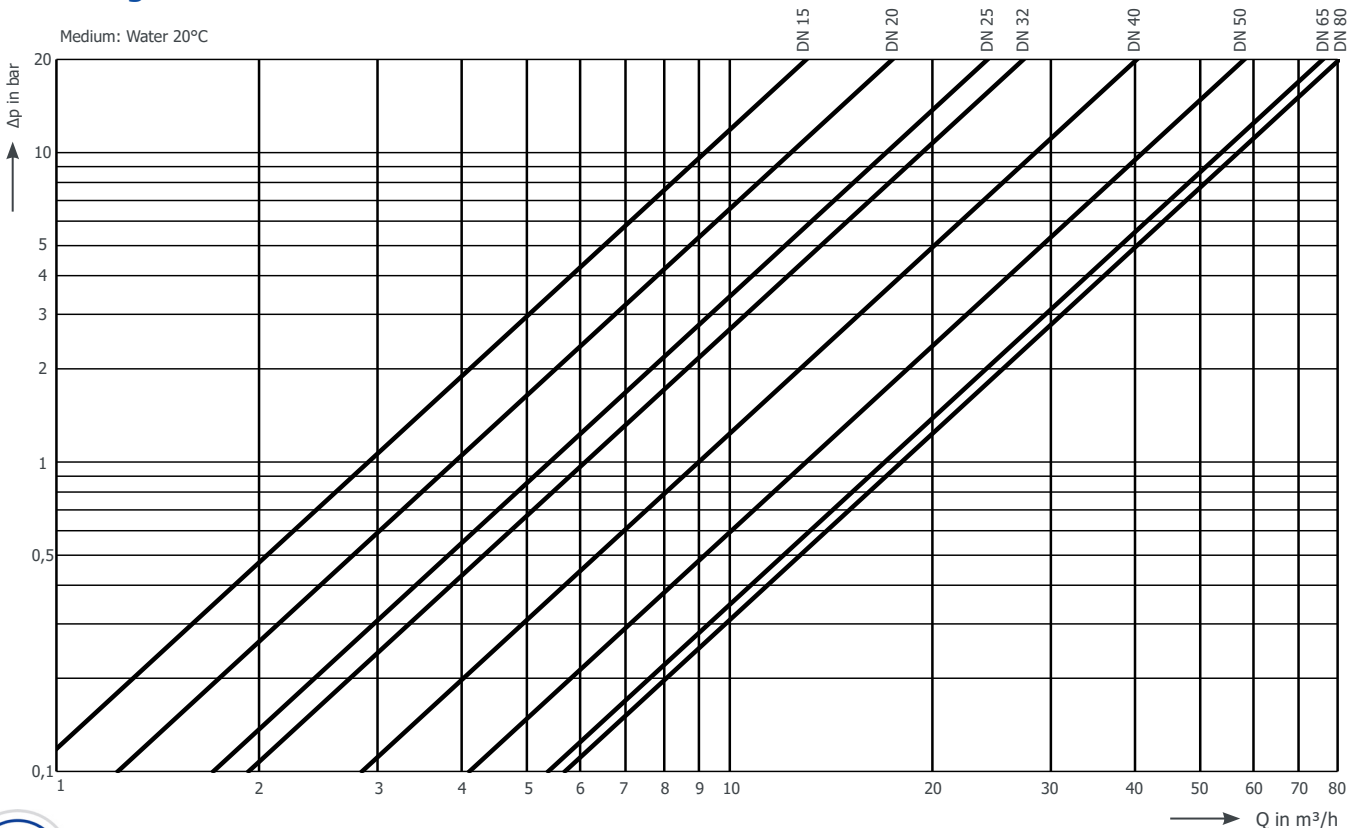
inlet pressure: 10 bar
seals: FPM

outlet pressure: 1 bar
temperature: 30 °C

connection: DN 15 ANSI B 16.5 RF
inside + outside chemically nickel-plated

art.no. standard version						-	C	C	M	E	F
0	5	5	0	0	2	-	6	1	0	3	5

Flow diagram





DRV 572 • DRV 578
Type A (DN 15 - DN 32)



DRV 572 • DRV 578
Type B (DN 40 - DN 80)



Media

The pressure reducers are suitable for use with water and neutral, non-adhesive liquids, but can also be used for air and neutral gases when larger flow rates are required.

For the media drinking water or sea water we refer to our special series DRV -6 or DRV -SW.



Special version seawater (-SW)

In this special version for seawater, all materials in contact with the media are seawater resistant. Smaller nominal diameters up to DN 32 are equipped with a removable cartridge made of POM and red-bronze. For nominal sizes DN 40 and larger, the internal parts are made completely of red-bronze.

**Pressure reducing valve
Flange • Wide range
Red bronze**

Pressure reducing valves of the series are diaphragm-controlled, spring-loaded pressure reducing valves and have an inlet pressure compensation.

DGRL 2014/68/EU **CE**

Classification societies

- DNV GL
- LR
- BV
- ABS
- CCS

Customs tariff number

84811005



Features

- pressure-relieved single seated valve
- diaphragm-controlled
- continuously adjustable outlet pressure
- max. inlet pressure up to 40 bar
- outlet pressure : 0,5 - 9 bar
- Flanges acc. DIN EN 1092 PN 40 (DN 15 to DN 50)
- Flanges acc. DIN EN 1092 PN 25 (DN 65 to DN 80)
- optionally all sizes with ANSI or JIS flanges
- optionally DN 65 with PN 16 flanges
- with integrated strainer filter
- replaceable inner parts
- double-ended G 1/4" manometer fitting (for outlet pressure)
- assembly position: any desired, preferably vertical
- minimum pressure difference (inlet/outlet pressure): 1 bar

Pressures



max. 40 bar



0,5 - 9 bar

Connections



Flange
acc. DIN EN 10920 PN 40 (DN 15 bis DN 50)
acc. DIN EN 10920 PN 25 (DN 65 und DN 80)

Materialien



Temperatures

Various options for the seals and wetted parts allow a maximum temperature of up to 190°C.



from -30 °C up to +190 °C



Seals and temperatures

NBR	-15°C to +100°C
EPDM*	-30°C to +130°C
FPM	-10°C to +190°C

Special version for high temperature(-HT)

Often the temperature resistance of standard pressure reducers is not sufficient for your application. For such applications, various variants of the -HT series are available. This high temperature series is equipped with FPM seals. Thus, a maximum temperature resistance of 190°C is achieved with FPM seals in combination with metallic internal parts.

Please note that these pressure reducers are not suitable for use with steam.

	body	spring bonnet	seals	wetted parts	max. temperature
standard version	red bronze CC499K	up to DN 32 brass from DN 40 cast iron	NBR optionally EPDM*, FPM	up to DN 32 Hostaform C & brass from DN 40 brass	100 °C
special version:					
 high temperature (-HT)	red bronze CC499K	up to DN 32 brass from DN 40 cast iron	FPM	brass	190 °C
 sea water (-SW)	red bronze CC499K	up to DN 32 brass from DN 40 cast iron	NBR	up to DN 32 Hostaform C & red bronze from DN 40 red bronze	100 °C

* except DN 32



Technical data

nominal size	15	20	25	32	40	50	65	80
--------------	----	----	----	----	----	----	----	----

Type

A

B

Pressures

max. inlet pressure [bar]

max. 40 bar



DRV 572	40	25
DRV 578	40	25

outlet pressure [bar]

0,5 - 9 bar



DRV 572	0,5 - 4	0,5 - 4
DRV 578	0,5 - 9	0,5 - 9

Connections

dimensions [mm]

Flange connection
from DN 15 to DN 80



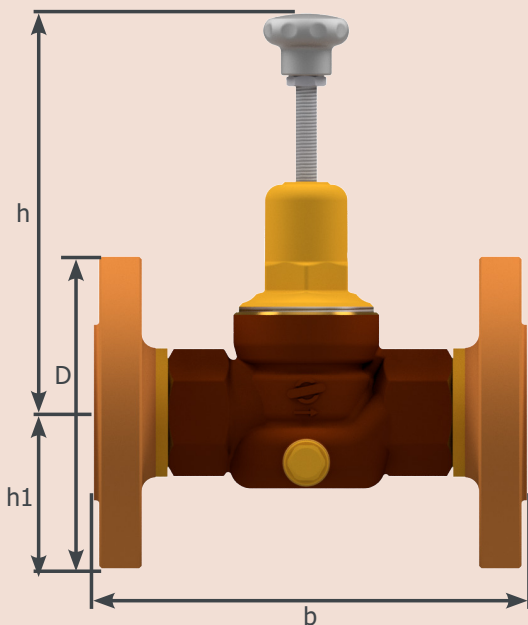
	DN	15	20	25	32	40	50	65	80
all types	b	130	150	160	180	200	230	290	310
	D	95	105	115	140	150	165	185	200
	h1	48	53	58	70	75	83	93	100
	h	139	140	138	136	239	243	256	256
DRV 572		139	140	138	136	239	243	256	256
DRV 578		136	137	136	131	313	320	331	331

weight [kg]

DRV 572	2,4	3,3	4,1	5,9	9,2	12,3	18,0	20,7
DRV 578	2,4	3,3	4,1	5,9	9,6	12,8	18,6	21,4

kvs-value [m³/h]

alle Typen	2,9	3,9	5,4	6,1	9	13	17	18
------------	-----	-----	-----	-----	---	----	----	----





Article number

nominal size	15	20	25	32	40	50	65	80
standard version								
DRV 572	057202	057203	057204	057205	057206	057207	057208	057209
DRV 578	057802	057803	057804	057805	057806	057807	057808	057809
special version								
high temperature -HT	art.no. standard + -00130				art.no. Standard + -00030			
sea water -SW	art.no. standard + -00500				art.no. Standard + -00200			

Standard article numbers are 6 digits, article numbers for additional options are 11 digits. (See next page for an overview of options)

Manometer

diameter	connection	body	pressure range	max. temp.	art.no.
50 mm	G 1/4", central back	steel	0 - 4 bar	60°C	009001
50 mm	G 1/4", central back	steel	0 - 10 bar	60°C	009002
63 mm	G 1/4", central back	stainless steel	0 - 10 bar	60°C	009015
63 mm	G 1/4", central back	stainless steel	0 - 10 bar	200°C	009014



Options

C C - connections

00 -	DIN EN 10920 PN 40/ 25	standard
54 -	DIN EN 10920 PN 16	only DN 65
61 -	ANSI B 16.5 RF	class 150 lbs
75 -	JIS B2220	16K

E - Elastomere

0 -	NBR	Standard
2 -	EPDM	außer DN 32
3 -	FPM	

M - material wetted parts

0 -	brass/ POM	standard up to DN 32
0 -	brass	standard from DN 40
1 -	brass	DN 15 to DN 32
2 -	red bronze	
5 -	red bronze/ POM	only DN 15 to DN 32

F - finishes

0 -	without additional finishes
1 -	inside + outside nickel plated
3 -	inside + outside chrome-plated
5 -	inside + outside chemically nickel-plated

Configuration example of an article number with additional options

inlet pressure: 10 bar
seals: EPDM

outlet pressure: 4 bar
temperature: 30 °C

connection: DN 50 ANSI B 16.5 RF
without additional finishes

art.no. standard version						-	C	C	M	E	F
0	5	7	8	0	7	-	6	1	0	2	0

Flow diagram

