



DRV 702 • DRV 708
Type A (DN 15 - DN 32)



DRV 702 • DRV 708
Type B (DN 40 - DN 80)



Media

The pressure reducers are suitable for use with aggressive waters and other aggressive liquids, but can also be used for air and neutral gases when larger flow rates are required.

FDA / EC 1935/2004

Our stainless steel series with EPDM seals correspond to the requirements of the EU Regulation EC 1935/2004 and the Regulations of the FDA (Food and Drug Administration).

The metallic components in contact with the medium are made of austenitic materials such as 1.4408 and 1.4404.

The EPDM seals are conform FDA (21 CFR part 177.2600) and EC 1935/2004. This means you can use our stainless steel series with EPDM seals in food applications without hesitation.

**Pressure reducing valve
Female thread • Standard pressure
Stainless steel**

Pressure reducing valves of the series are diaphragm-controlled, spring-loaded pressure reducing valves. These valves are inlet pressure relieved.

DGRL 2014/68/EU **CE**

Classification societies

- DNV GL
- LR
- BV
- ABS
- CCS

Customs tariff number

84811005



Features

- pressure-relieved single seated valve
- diaphragm-controlled
- continuously adjustable outlet pressure
- max. inlet pressure up to 40 bar
- outlet pressure : 1,5 - 10 bar
- female thread acc. ISO 228, optionally with NPT-Gewinde
- with integrated strainer filter
- replaceable inner parts
- double-ended G 1/4" manometer fitting (for outlet pressure)
- assembly position: any desired, preferably vertical
- minimum pressure difference (inlet/outlet pressure): 1 bar
- EPDM seals with FDA conformity

Pressures



max. 40 bar



1,5 - 10 bar

Connections



Female thread
acc. ISO 228
from G 1/2" up to G 2"

Materials

	body	spring bonnet	seals	wetted parts	max. temperature
standard version	stainless steel 1.4408	stainless steel 1.4408	FKM optionally EPDM*, NBR	stainless steel 1.4404	190 °C**



Temperatures

Various options in the area of seals and wetted internal parts allow a maximum temperature of up to 190°C.



from -30 °C up to +190 °C

Seals and temperatures




NBR	-15°C to +100°C
EPDM*	-30°C to +130°C
FKM	-10°C to +190°C

* with FDA conformity
** with FKM seals

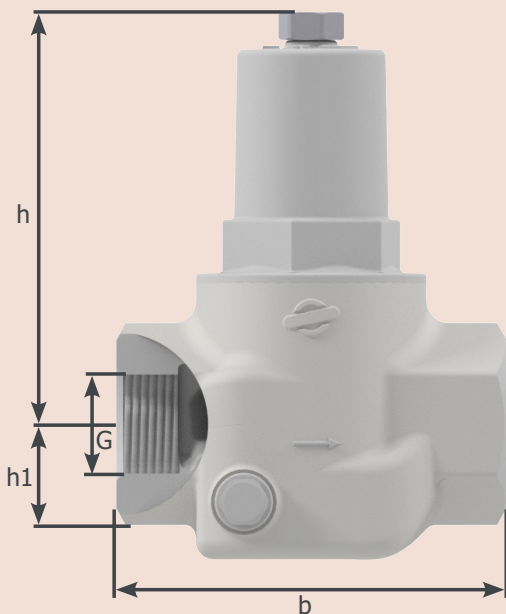


Technical data

nominal size	15	20	25	32	40	50
G	1/2"	3/4"	1"	1 1/4"	1 1/2"	2"

Type		A				B		
Pressures	max. inlet pressure [bar]							
	max. 40 bar 	DRV 702	40				40	
		DRV 708	40				40	
1,5 - 10 bar 	outlet pressure [bar]							
		DRV 702	1,5 - 6				1,5 - 6	
		DRV 708	1,5 - 10				1,5 - 10	
Connections	Female thread from G 1/2" to G 2" 	dimensions [mm]						
			G	1/2"	3/4"	1"	1 1/4"	1 1/2"
		b	95	95	110	120	150	160
		h1	29	29	38	38	38	38
		h	116	116	116	116	219	219

	weight [kg]					
DRV 702	1,4	1,3	2,1	2,0	5,3	5,1
DRV 708	1,4	1,3	2,1	2,0	5,4	5,3
	kvs-value [m³/h]					
all types	2,9	3,9	5,4	6,1	9	13





Article number

nominal size	15	20	25	32	40	50
G	1/2"	3/4"	1"	1 1/4"	1 1/2"	2"

standard version

DRV 702	070202	070203	070204	070205	070206	070207
DRV 708	070802	070803	070804	070805	070806	070807

Standard article numbers are 6 digits, article numbers for additional options are 11 digits. (See next page for an overview of options)

Manometer

diameter	connection	body	pressure range	max. temp.	art.no.
50 mm	G 1/4", central back	steel	0 - 4 bar	60°C	009001
50 mm	G 1/4", central back	steel	0 - 10 bar	60°C	009002
63 mm	G 1/4", central back	stainless steel	0 - 10 bar	60°C	009015
63 mm	G 1/4", central back	stainless steel	0 - 10 bar	200°C	009014



Options

C C - conenctions

00 -	ISO 228	standard
30 -	NPT - ASME B1.20.1	

M - material wetted parts

0 -	stainless steel 1.4404	standard
-----	------------------------	----------

E - elastomers

0 -	FKM	standard
1 -	NBR	
8 -	EPDM	with FDA conformity

F - finishes

0 -	without additional finishes
-----	-----------------------------

Configuration example of an article number with additional options

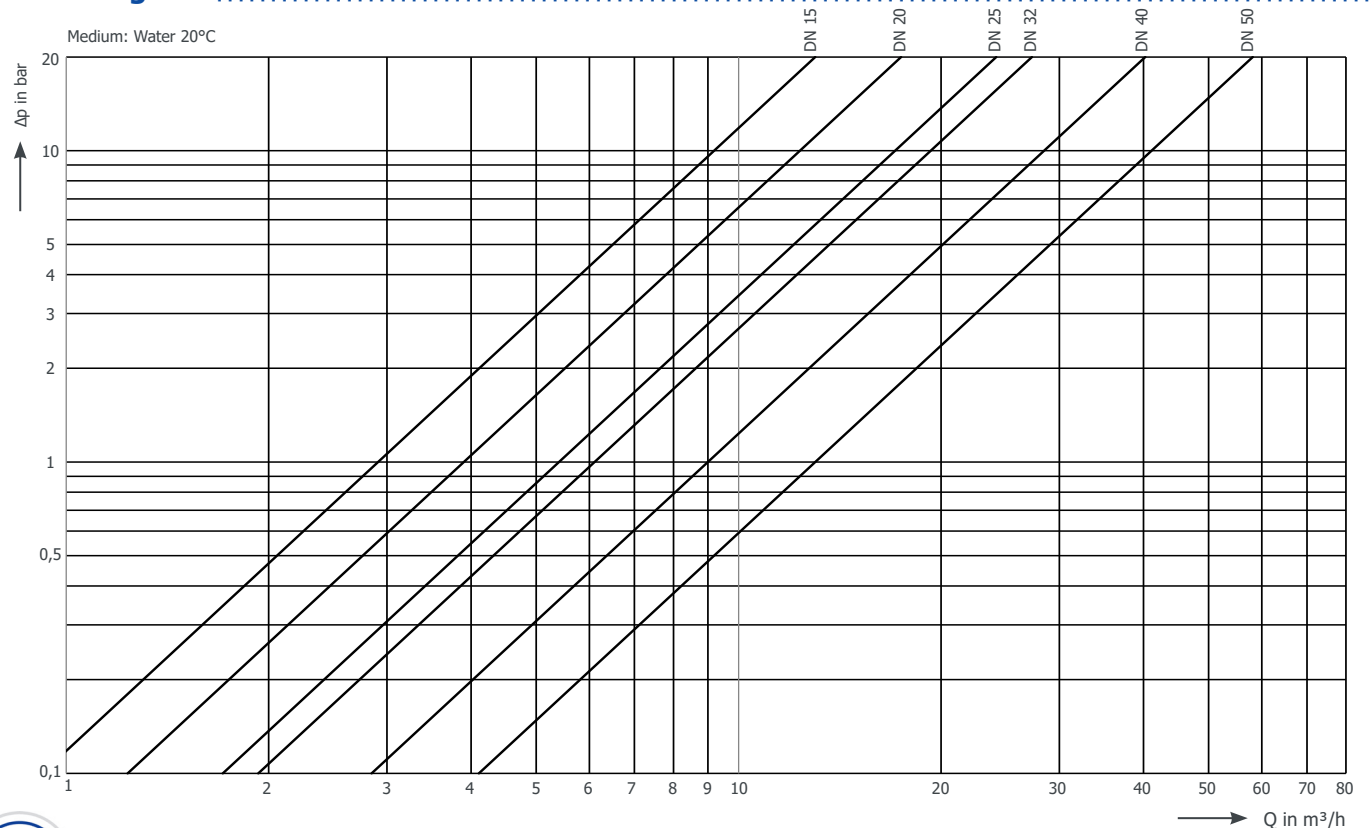
inlet pressure: 10 bar
seals: EPDM

outlet pressure: 4 bar
temperature: 30 °C

conenction: 2" NPT
without additional finishes

art.no. standard version						-	C	C	M	E	F
0	7	0	8	0	7	-	3	0	0	8	0

Flow diagram





DRV 703
(DN 15 - DN 32)



Pressure reducing valve
Female thread • Standard pressure
Stainless steel

Pressure reducing valves of the series are diaphragm-controlled, spring-loaded pressure reducing valves. These valves are inlet pressure relieved.

Media

The pressure reducers are suitable for use with aggressive waters and other aggressive liquids, but can also be used for air and neutral gases when larger flow rates are required.

The seals are suitable for drinking water and have ELL and W270 approval.

DGRL 2014/68/EU **CE**

Classification societies

- DNV GL
- LR
- BV
- ABS
- CCS

Customs tariff number

84811005

FDA / EC 1935/2004

Our stainless steel series with EPDM seals correspond to the requirements of the EU Regulation EC 1935/2004 and the Regulations of the FDA (Food and Drug Administration).

The metallic components in contact with the medium are made of austenitic materials such as 1.4408 and 1.4404.

The EPDM seals are conform FDA (21 CFR part 177.2600) and EC 1935/2004. This means you can use our stainless steel series with EPDM seals in food applications without hesitation.



Features

- pressure-relieved single seated valve
- diaphragm-controlled
- continuously adjustable outlet pressure
- max. inlet pressure up to 25 bar
- outlet pressure : 1,5 - 6 bar
- female thread acc. ISO 228, optionally with NPT-Gewinde
- with integrated strainer filter
- replaceable inner parts
- double-ended G 1/4" manometer fitting (for outlet pressure)
- assembly position: any desired, preferably vertical
- minimum pressure difference (inlet/outlet pressure): 1 bar
- EPDM seals with FDA conformity, ELL and W270 approval



Temperatures

Seals and wetted internal parts allow a maximum temperature of up to 75°C.



from -30 °C up to +75 °C

Seals and temperatures

EPDM* -30°C bis +75°C

Pressures



max. 25 bar



1,5 - 6 bar

Connections



Female thread
acc. ISO 228
from G 1/2" up to G 2"

Materials

	body	spring bonnet	seals	wetted parts	max. temperature
standard version	stainless steel 1.4408	plastics	EPDM*	plastics/ stainless steel 1.4404	75 °C

* with FDA conformity, ELL & W270 approval



Technical data

nominal size	15	20	25	32
G	1/2"	3/4"	1"	1 1/4"

Pressures

max. 25 bar



max. inlet pressure [bar]

DRV 703

25

outlet pressure [bar]

1,5 - 6 bar



DRV 703

1,5 - 6

Connections

Female thread
from G 1/2" to G 2"



dimensions [mm]

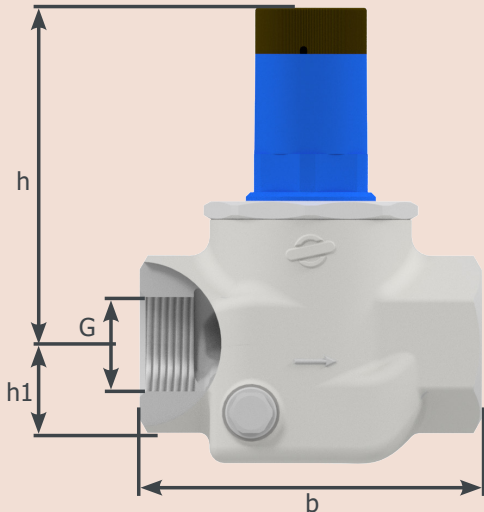
	G	1/2"	3/4"	1"	1 1/4"
DRV 703	b	95	95	110	120
	h1	29	29	39	39
	h	109	109	109	109

weight [kg]

DRV 703	1,0	0,9	1,7	1,6
---------	-----	-----	-----	-----

kvs-value [m³/h]

DRV 703	2,9	3,9	5,4	6,1
---------	-----	-----	-----	-----





Article number

nominal size	15	20	25	32
G	1/2"	3/4"	1"	1 1/4"
standard version				
DRV 750	070302	070303	070304	070305

Standard article numbers are 6 digits, article numbers for additional options are 11 digits. (See next page for an overview of options)

Manometer

diameter	connection	body	pressure range	max. temp.	art.no.
50 mm	G 1/4", central back	steel	0 - 4 bar	60°C	009001
50 mm	G 1/4", central back	steel	0 - 10 bar	60°C	009002
63 mm	G 1/4", central back	stainless steel	0 - 10 bar	60°C	009015
63 mm	G 1/4", central back	stainless steel	0 - 10 bar	200°C	009014



Options

C C - connections

- 00 - ISO 228 standard
- 30 - NPT - ASME B1.20.1

M - material wetted parts

- 0 - stainless steel 1.4404 standard

E - elastomers

- 0 - EPDM with FDA conformity, ELL & W270 approval

F - finishes

- 0 - without additional finishes

Configuration example of an article number with additional options

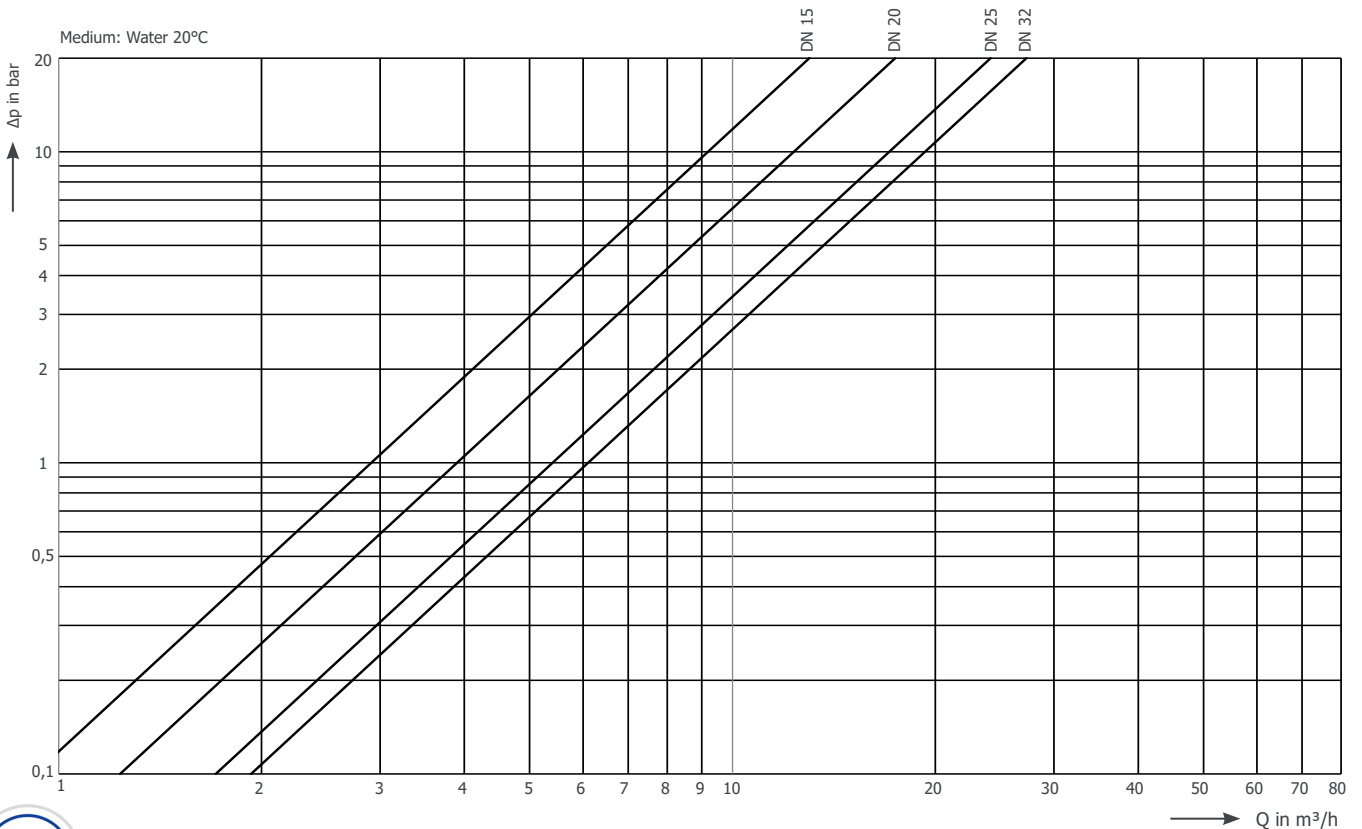
inlet pressure: 10 bar
seals: EPDM

outlet pressure: 4 bar
temperature: 30 °C

connection: 1" NPT
without additional finishes

art.no. standard version						-	C	C	M	E	F
0	7	0	3	0	4	-	3	0	0	0	0

Flow diagram





DRV 724 • DRV 725
Type A (DN 15 - DN 32)



DRV 724 • DRV 725
Type B (DN 40 - DN 80)



Media

The pressure reducers are suitable for use with aggressive waters and other aggressive liquids, but can also be used for air and neutral gases when larger flow rates are required.

Pressure reducing valve
Female thread • High pressure
Stainless steel

Pressure reducing valves of the series are piston-controlled, spring-loaded pressure reducing valves. These valves are inlet pressure relieved.

DGRL 2014/68/EU **CE**

Classification societies

- DNV GL
- LR
- BV
- ABS
- CCS

Customs tariff number

84811005



Features

- pressure-relieved single seated valve
- piston-controlled
- continuously adjustable outlet pressure
- max. inlet pressure up to 40 bar
- outlet pressure : 1,5 - 20 bar
- female thread acc. ISO 228, optionally with NPT-Gewinde
- with integrated strainer filter
- replaceable inner parts
- double-ended G 1/4" manometer fitting (for outlet pressure)
- assembly position: any desired, preferably vertical
- minimum pressure difference (inlet/outlet pressure): 1 bar
- EPDM seals with FDA conformity

Pressures



max. 40 bar



1,5 - 20 bar

Connections



Female thread
acc. ISO 228
from G 1/2" up to G 2"

Materials

	body	spring bonnet	seals	wetted parts	max. temperature
standard version	stainless steel 1.4408	stainless steel 1.4408	FKM optionally EPDM*, NBR	stainless steel 1.4404	190 °C**



Temperatures

Various options in the area of seals and wetted internal parts allow a maximum temperature of up to 190°C.



from -30 °C up to +190 °C

Seals and temperatures

NBR	-15°C to +100°C
EPDM*	-30°C to +130°C
FKM	-10°C to +190°C

*with FDA conformity, only DN 40 & DN 50
** with FKM seals

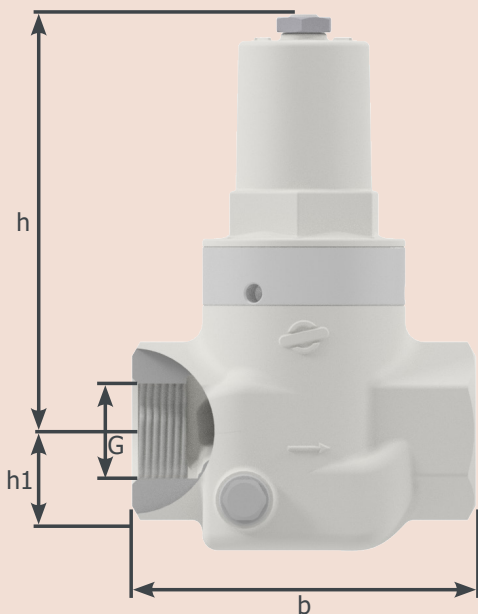


Technical data

nominal size	15	20	25	32	40	50
G	1/2"	3/4"	1"	1 1/4"	1 1/2"	2"

Type		A				B		
Pressures		max. inlet pressure [bar]						
max. 40 bar		DRV 724	40				40	
		DRV 725	40				40	
		outlet pressure [bar]						
1,5 - 10 bar		DRV 724	1,5 - 12				1,5 - 12	
		DRV 725	2,0 - 20				2,0 - 20	
Connections		dimensions [mm]						
Female thread from G 1/2" to G 2"		G	1/2"	3/4"	1"	1 1/4"	1 1/2"	2"
		b	95	95	110	120	150	160
		h1	29	29	38	38	38	38
		h	133	133	133	133	243	243

	weight [kg]					
DRV 724	1,7	1,6	2,5	2,5	6,8	6,6
DRV 725	1,7	1,7	2,6	2,5	6,8	6,7
	kvs-value [m³/h]					
all types	2,9	3,9	5,4	6,1	9	13





Article number

nominal size	15	20	25	32	40	50
G	1/2"	3/4"	1"	1 1/4"	1 1/2"	2"
standard version						
DRV 724	072402	072403	072404	072405	072406	072407
DRV 725	072502	072503	072504	072505	072506	072507

Standard article numbers are 6 digits, article numbers for additional options are 11 digits. (See next page for an overview of options)

Manometer

diameter	connection	body	pressure range	max. temp.	art.no.
50 mm	G 1/4", central back	steel	0 - 10 bar	60°C	009002
63 mm	G 1/4", central back	steel	0 - 25 bar	60°C	009004
63 mm	G 1/4", central back	stainless steel	0 - 10 bar	200°C	009014
63 mm	G 1/4", central back	stainless steel	0 - 16 bar	200°C	009016



Options

C C - connections

00 -	ISO 228	standard
30 -	NPT - ASME B1.20.1	

M - material wetted parts

0 -	stainless steel 1.4404	standard
-----	------------------------	----------

E - elastomers

0 -	FKM	standard
1 -	NBR	
2 -	EPDM	only DN 40 & DN 50

F - finishes

0 -	without additional finishes
-----	-----------------------------

Configuration example of an article number with additional options

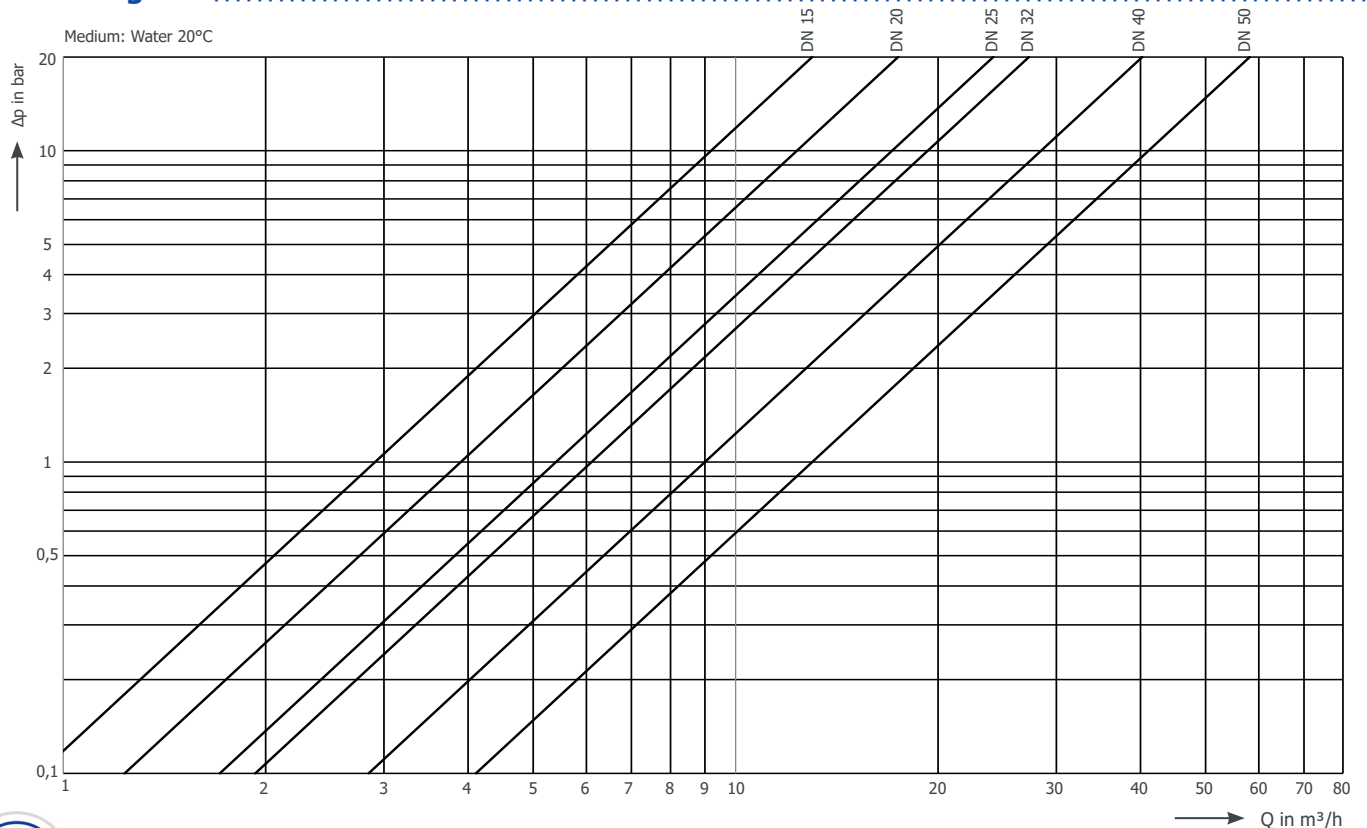
inlet pressure: 25 bar
seals: EPDM

outlet pressure: 14 bar
temperature: 30 °C

connection: 2" NPT
without additional finishes

art.no. standard version						-	C	C	M	E	F
0	7	2	5	0	7	-	3	0	0	2	0

Flow diagram





DRV 732-D • DRV 738-D
Type A (DN 15 - DN 32)



DRV 732-D • DRV 738-D
Type B (DN 40 - DN 50)



**Pressure reducing valve
Female thread • Steam
Stainless steel**

Pressure reducing valves of the series are piston-controlled, spring-loaded pressure reducing valves. These valves are inlet pressure relieved.

DGRL 2014/68/EU



Classification societies

- DNV GL
- LR
- BV
- ABS
- CCS

Customs tariff number

84811005

Media

The pressure reducers are particularly suitable for use with hot water and steam, but can also be used in the case of aggressive water and other aggressive liquids. They are also suitable for air and neutral gases when larger flow rates are required.



Features

- pressure relieved single seated valve
- piston-controlled
- continuously adjustable outlet pressure
- max. inlet pressure up to 16 bar
- outlet pressure: 2 - 10 bar
- female thread acc. ISO 228, optionally with NPT-thread
- replaceable inner parts
- double-ended G 1/4" manometer fitting (for outlet pressure)
- assembly position: any desired, preferably vertical
- minimum pressure difference (inlet/outlet pressure): 1 bar

Pressures



max. 16 bar



2 - 10 bar

Connections



Female thread
acc. ISO 228
from G 1/2" up to G 2"

Materials



Temperatures



Various options in the area of seals and wetted internal parts allow a maximum temperature of up to 200°C.



from -30 °C up to +200 °C

Seals and temperatures

- PTFE/ EPDM - 30°C to +150°C
- PTFE/ EPDM/ FEPM +20°C to +200°C

	body	spring bonnet	seals	wetted parts	max. temperature
	stainless steel 1.4408	stainless steel 1.4408	PTFE/ EPDM	stainless steel 1.4404	150°C
steam up to 150°C					
	stainless steel 1.4408	stainless steel 1.4408	PTFE/ EPDM/ FEPM	stainless steel 1.4404	200°C
steam up to 200°C					



Technical data

nominal size	15	20	25	32	40	50
G	1/2"	3/4"	1"	1 1/4"	1 1/2"	2"

Type

A

B

Pressures

max. inlet pressure [bar]

max. 16 bar



DRV 732-D

16

16

DRV 738-D

16

16

outlet pressure [bar]

2 - 10 bar



DRV 732-D

2 - 5

2 - 5

DRV 738-D

4 - 10

4 - 10

Connections

female thread
from G 1/2" up to G 2"



dimensions [mm]

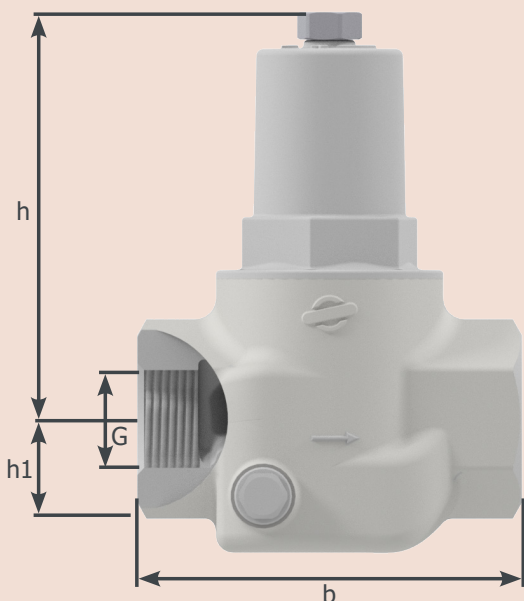
	G	1/2"	3/4"	1"	1 1/4"	1 1/2"	2"
all types	b	95	95	110	120	150	160
	h1	29	29	38	38	38	38
	h	117	117	117	117	217	217

weight [kg]

DRV 732	1,5	1,4	2,2	2,1	5,5	5,4
DRV 738	1,5	1,4	2,2	2,1	5,5	5,4

kvs-value [m³/h]

all types	3,6	4,1	5,3	5,6	13,3	14,0
-----------	-----	-----	-----	-----	------	------





Article number

nominal size	15	20	25	32	40	50
G	1/2"	3/4"	1"	1 1/4"	1 1/2"	2"

steam up to 150°C

DRV 732-D	073202-000A0	073203-000A0	073204-000A0	073205-000A0	073206-000A0	073207-000A0
DRV 738-D	073802-000A0	073803-000A0	073804-000A0	073805-000A0	073806-000A0	073807-000A0

steam up to 200°C

DRV 732-D	073202-000B0	073203-000B0	073204-000B0	073205-000B0	073206-000B0	073207-000B0
DRV 738-D	073802-000B0	073803-000B0	073804-000B0	073805-000B0	073806-000B0	073807-000B0

Standard article numbers are 6 digits, article numbers for additional options are 11 digits. (See next page for an overview of options)

Manometer

diameter	connection	body	pressure range	max. temp.	art.no.
63 mm	G 1/4", central back	stainless steel	0 - 10 bar	200°C	009014



Options

CC - connection

00 -	ISO 228	standard
30 -	NPT - ASME B1.20.1	

M - materials wetted parts

0 -	stainless steel 1.4404	standard
-----	------------------------	----------

E - elastomers

A -	PTFE/ EPDM	steam up to 150°C
B -	PTFE/ EPDM/ FEPM	steam up to 200°C

F - finishes

0 -	without additional finishes
-----	-----------------------------

Configuration example of an article number with additional options

inlet pressure: 6 bar
seals: PTFE/EPDM/FEPM

outlet pressure: 4 bar
temperature: 160 °C

connection: 2" NPT
without additional finishes

art. no. standard version						-	C	C	M	E	F
0	7	3	2	0	7	-	3	0	0	B	0



DRV 750
Type A (DN 15 - DN 32)



DRV 750
Type B (DN 40 - DN 80)



Media

The pressure reducers are suitable for use with aggressive waters and other aggressive liquids, but can also be used for air and neutral gases when larger flow rates are required.

FDA / EC 1935/2004

Our stainless steel series with EPDM seals correspond to the requirements of the EU Regulation EC 1935/2004 and the Regulations of the FDA (Food and Drug Administration).

The metallic components in contact with the medium are made of austenitic materials such as 1.4408 and 1.4404.

The EPDM seals are conform FDA (21 CFR part 177.2600) and EC 1935/2004. This means you can use our stainless steel series with EPDM seals in food applications without hesitation.

**Pressure reducing valve
Female thread • Low pressure
Stainless steel**

Pressure reducing valves of the series are diaphragm-controlled, spring-loaded pressure reducing valves. These valves are inlet pressure relieved.

DGRL 2014/68/EU **CE**

Classification societies

- DNV GL
- LR
- BV
- ABS
- CCS

Customs tariff number

84811005



Features

- pressure-relieved single seated valve
- diaphragm-controlled
- continuously adjustable outlet pressure
- max. inlet pressure up to 25 bar
- outlet pressure : 0,2 - 2 bar
- female thread acc. ISO 228, optionally with NPT-Gewinde
- with integrated strainer filter
- replaceable inner parts
- double-ended G 1/4" manometer fitting (for outlet pressure)
- assembly position: any desired, preferably vertical
- minimum pressure difference (inlet/outlet pressure): 1 bar
- EPDM seals with FDA conformity

Pressures



max. 25 bar



0,2 - 2 bar

Connections



Female thread
acc. ISO 228
from G 1/2" up to G 2"

Materials

	body	spring bonnet	seals	wetted parts	max. temperature
standard version	stainless steel 1.4408	stainless steel 1.4408	FKM optionally EPDM*, NBR***	stainless steel 1.4404	190 °C**



temperatures

Various options in the area of seals and wetted internal parts allow a maximum temperature of up to 190°C.



from -30 °C up to +190 °C

Seals and temperatures

NBR***	-15°C to +100°C
EPDM*	-30°C to +130°C
FKM	-10°C to +190°C



Technical data

nominal size	15	20	25	32	40	50
G	1/2"	3/4"	1"	1 1/4"	1 1/2"	2"

Type

A

B

Pressures

max. inlet pressure [bar]

max. 25 bar



DRV 750

25

25

outlet pressure [bar]

0,2 - 2 bar



DRV 750

0,2 - 2

0,2 - 2

Connections

Female thread
from G 1/2" to G 2"



dimensions [mm]

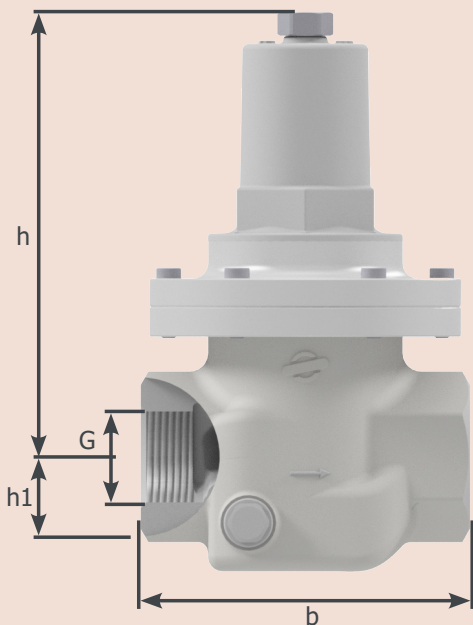
	G	1/2"	3/4"	1"	1 1/4"	1 1/2"	2"
	b	95	95	110	120	150	160
	h1	29	29	38	38	38	38
	h	136	136	148	148	271	271

weight [kg]

DRV 750	1,8	1,7	3,1	3,1	9,1	9,0
---------	-----	-----	-----	-----	-----	-----

kvs-value [m³/h]

DRV 750	2,9	3,9	5,4	6,1	9	13
---------	-----	-----	-----	-----	---	----





Article number

nominal size	15	20	25	32	40	50
G	1/2"	3/4"	1"	1 1/4"	1 1/2"	2"
standard version						
DRV 750	075002	075003	075004	075005	075006	75007

Standard article numbers are 6 digits, article numbers for additional options are 11 digits. (See next page for an overview of options)

Manometer

diameter	connection	body	pressure range	max. temp.	art.no.
50 mm	G 1/4", central back	steel	0 - 4 bar	60°C	009001
50 mm	G 1/4", central back	steel	0 - 10 bar	60°C	009002
63 mm	G 1/4", central back	stainless steel	0 - 10 bar	60°C	009015
63 mm	G 1/4", central back	stainless steel	0 - 10 bar	200°C	009014



Options

C C - conenctions

- 00 - ISO 228 standard
- 30 - NPT - ASME B1.20.1

M - material wetted parts

- 0 - stainless steel 1.4404 standard

E - elastomers

- 0 - FKM standard
- 1 - NBR only DN 15 to DN 32
- 8 - EPDM with FDA conformity

F - finishes

- 0 - without additional finishes

Configuration example of an article number with additional options

inlet pressure: 6 bar
seals: EPDM

outlet pressure: 0,5 bar
temperature: 30 °C

connection: 2" NPT
without additional finishes

art.no. standard version						-	C	C	M	E	F
0	7	5	0	0	7	-	3	0	0	8	0

Flow diagram

