



SV 26
(DN 10 - DN 15)



SV 45
(DN 10 - DN 20)



SV 94
(DN 10 - DN 15)



Float valves
Male thread • For small storage tanks
Brass and Stainless steel

Our series SV offers very compact float valves for small storage tanks and the level regulation, e.g. flushing tanks, poultry drinking troughs, humidifiers, pond constructions, steam generation systems etc.

These types are ideally suited for applications with tight mounting space or with reduced flow rates.

The float is mounted slidable on the stem and the desired media level can be adjusted very precisely.

Media

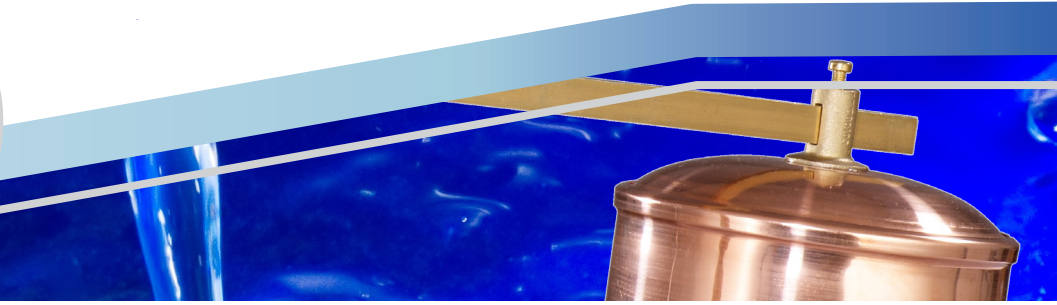
The SV series float valves are suitable for use with water and neutral, non-sticky liquids.

The float valve SV 45 made of stainless steel can also be used for aggressive water and liquids and due to its pressure tightness also for air and neutral gases.

For drinking water we refer to our special series RSV O.

Customs tariff number

84818081



Features

- male thread according ISO 228
- replaceable valve seat
- special version SV 26 DB with twin clip and angled float arm available
- pressure tight version SV 45
- control flap
- floats optionally in hostalen, copper or stainless steel
- float arm can be shortened

Working pressure



max. 12 bar

Connections



Male thread
acc. ISO 228
from G 3/8" to G 3/4"



Temperatures

Various options in the area of seals and internal parts in contact with the medium allow a maximum temperature of up to 190°C.



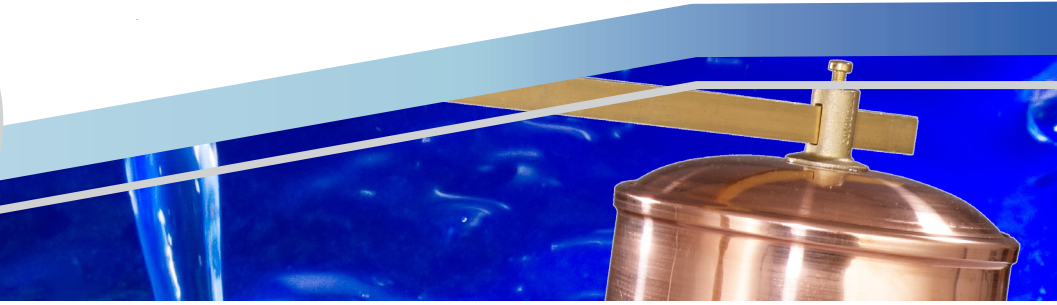
from 0 °C up to +190 °C

Seals and temperatures

NBR 0°C to +100°C
FPM 0°C to +190°C

Materials

	body	wetted parts	float arm	cap	seals	max. temperature
SV 26	brass	brass	brass 5x5	brass	NBR	100 °C
SV 45	stainless steel 1.4404	stainless steel 1.4404	stainless steel 5x5	stainless steel 1.4404	FKM	190°C
SV 94	brass	brass	brass 5x5	plastic	NBR	80°C



Technical data

nominal size	10	15	20
G	3/8"	1/2"	3/4"

Pressures

max. 12 bar



max. working pressure [bar]

SV 26	12
SV 45	10
SV 94	6

Connections

Male thread
from G 3/8" to G 3/4"



dimensions [mm]

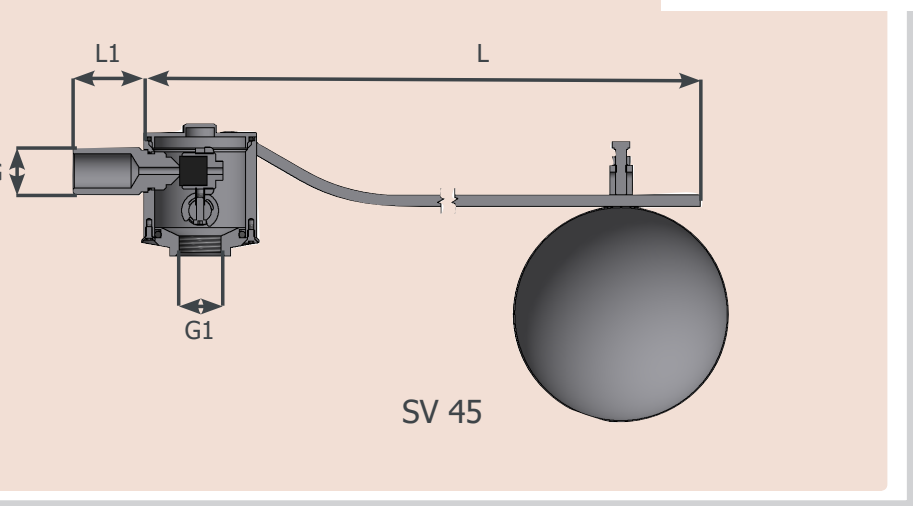
SV 26	L	393	393	--
	L1	30	40	--
	G1	3/8"	1/2"	3/4"
SV 45	L	398	398	398
	L1	30	30	30
SV 94	L	329	329	--
	L1	32	40	--

weight [kg]

SV 26	0,4	0,5	--
SV 45	0,6	0,6	0,6
SV 94	0,3	0,4	--

kvs-value [m³/h]

SV 26	0,3	0,3	--
SV 45	0,3	0,3	0,3
SV 94	0,2	0,3	--





Article number

nominal size	10	15	20
G	3/8"	1/2"	3/4"
standard version			
SV 26	000601	000602	--
SV 26 twin clip	000681	000692	--
SV 45	000451	000452	000453
SV 94 plastic cap	000701	000702	--
SV 94 brass cap	000711	000712	--
float			
plastic - PE	000831	000831	000831
copper - CU	000800	000800	000800
stainless steel - V4A	000841	000841	000841

Flow diagram

