

Model 1216 C

Description

Type	Safety and Relief valve
Connections	Clamp / BSP
Rating	PN-10
Material	Stainless steel 316 L SS
Temperature range	-10 to +350°C

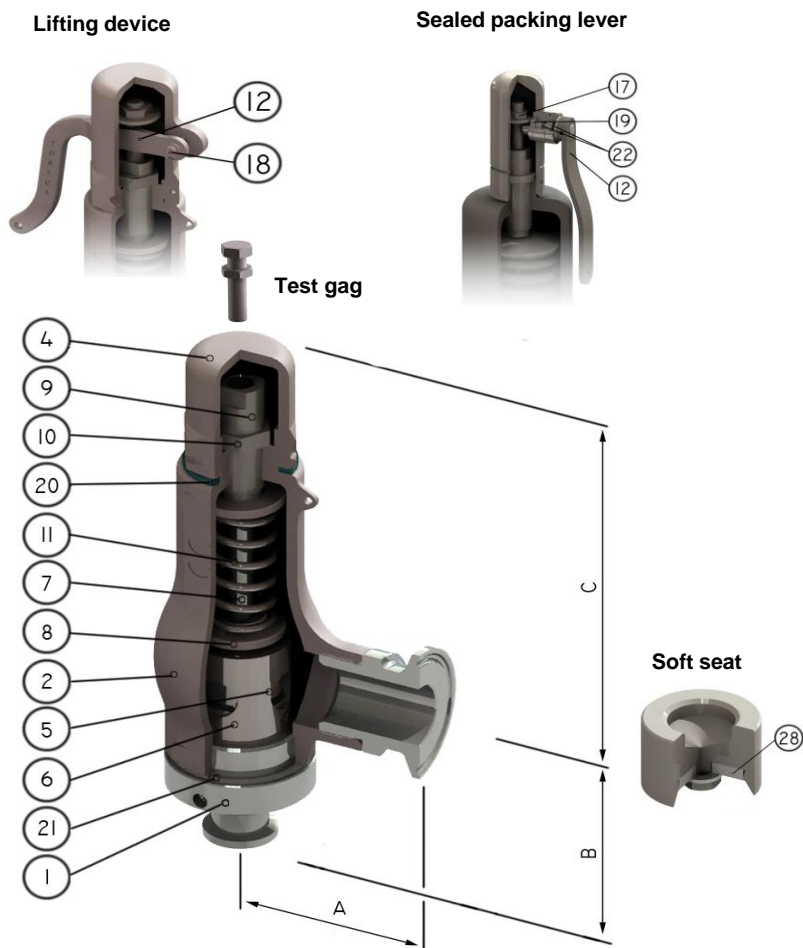
Requirements

Calculation	EN-4126-1 / 7 ISO-2852
Design	EN-12516-1, EN-4126-1 / 7 DIN 259 & ANSI B2.1
Materials	EN
Inspection	EN-4126-1 / 7

Construction and materials

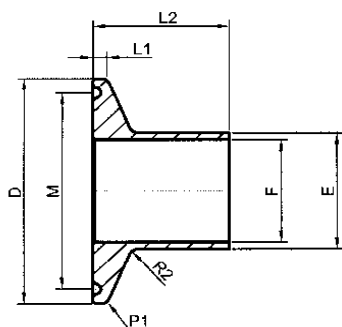
Item	Description	Material
1	Nozzle	A351 CF-3M
2	Body	A351 CF-3M
4	Cap	A351 CF-8
5	Disc	AISI-316L
6	Guide	A351 CF-3M
7	Push Road	AISI-316L
8	Spring Button	AISI-303
9	Ajusting Screw	AISI-303
10	Tensor Nut	AISI-303
11	Spring	AISI-302
12	Lever	A351 CF-8
17	Release nut	AISI-316
18	Lever axis	AISI-303
19	Packing lever axis	AISI-303
20	Gasket	PTFE
21	Gasket	PTFE
22	Gasket	Viton
28	Soft seat	Viton / PTFE

Recommended spare parts



Technical information

Applications	Steam, gases, vapours, liquids
Min. Set pressure	0,2 barg
Overpressure	10%
Blowdown	Gases 10%, liquids 20%
Tolerance Set pressure	± 3%
Discharge coefficients	k= 0,55 for gases k= 0,48 for liquids



Dimensions

Inlet	Outlet	Orifice	Area (mm ²)	A (mm)	B (mm)	C (mm)	Weight (kg)
15	25	9,5	71	73	65	155	2,4
20	25	15	176,6	73	65	155	2,4
25	25	18	254	73	67	155	2,8
40	40	32	804	90	98	234	8,2
15	1"	9,5	71	45	65	155	2
20	1"	15	176,6	45	65	155	2
25	1"	18	254	45	67	155	2,2
40	2"	32	804	62	98	234	8,2

Clamp ISO 2852

	D	M	E	L1	L2
15	25	19	12,7	2,85	12,7
20	25	19	19	2,85	12,7
1"(25)	50,5	43,5	25,6	2,85	21,5
1 1/2"(38)	50,5	43,5	38,6	2,85	21,5