

Model 1216 HP

Safety relief valves

Varnostni ventil

Description

Type	Safety and Relief valve
Connections	Threaded BSP / NPT
Rating	PN-100, 250&400
Material	Stainless steel 316 L
Temperature range	-10 to +300° C
Cryogenic service until	-196°C

Requirements

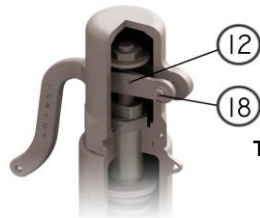
Calculation	EN-4126-1 / 7
Design	EN-12516-1, EN-4126-1 / 7 DIN 259 and ANSI B2.1
Materials	EN
Inspection	EN-4126-1 / 7

Construction and materials

Item	Description	Material	
		Standard	Cryogenic
1	Nozzle	AISI-316	AISI-316
2	Body	A351 CF-3M	A351 CF-3M
4	Cap	A351 CF-8	A351 CF-8
5	Disc	17-4 PH	17-4PH
6	Guide	A351 CF-3M	A351 CF-3M
7	Push Road	AISI-316L	AISI-316L
8	Spring Button	AISI-303	AISI-303
9	Ajusting Screw	AISI-303	AISI-303
10	Tensor Nut	AISI-303	AISI-303
11	Spring	INCONEL X750	17-7 PH
12	Lever	A351 CF-8	A351 CF-8
17	Release nut	AISI-316	AISI-316
18	Lever axis	AISI-303	AISI-303
19	Packing lever axis	AISI-303	AISI-303
20	Gasket	PTFE	PTFE
21	Gasket	GRAPHITE + S.S.	
22	Gasket	Viton	PTFE

 Recommended spare parts

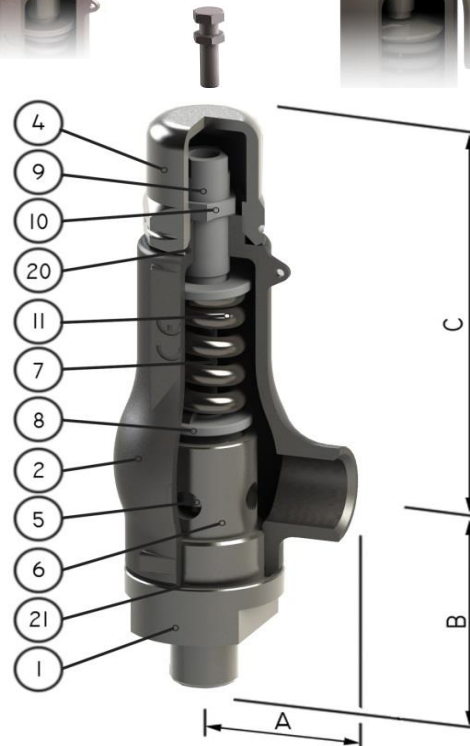
Lifting device



Sealed packing lever



Test gag



Technical information

Applications	Steam, gases, vapours and liquids
Min. Set pressure	0,2 barg
Max. Set pressure	300 barg
Overpressure	10%
Blowdown	Gases 10%, liquids 20%
Tolerance Set pressure	± 3%
Discharge coefficients	k= 0,5 for gases k= 0,4 for liquids

Dimensions

Inlet	Outlet	Orifice	Area (mm ²)	A (mm)	B (mm)	C (mm)	Weight (kg)
PN100 PN40							
1"	2"	16	201	62	100	235	5
1 1/4"	2"	18	254	62	100	235	5
1 1/2"	2"	20	314	62	100	235	6
2"	2"	22	380	62	100	235	6,3
PN250 PN40							
1/2"	3/4"	9	64	45	72	155	3
3/4"	3/4"	9	64	45	72	155	3
3/4"	1"	9	64	45	72	155	3
1"	1"	9	64	45	77	155	3
PN400 PN40							
1/2"	3/4"	6	28	45	72	155	3
3/4"	3/4"	6	28	45	72	155	3
3/4"	1"	6	28	45	72	155	3
1"	1"	6	28	45	77	155	3