

Model 1216 B

Description

Type	Safety and Relief valve
Connections	PN 16, PN 40, 150#, 300# Threaded BSP / NPT
Rating	PN-40
Material	Stainless steel 316 L SS
Temperature range	-28 to +350°C

Requirements

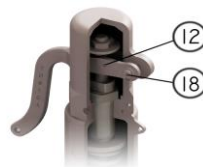
Calculation	EN-4126-1 / 7
Design	EN-12516-1, EN-4126-1 / 7 DIN 259, ANSI B2.1 and ANSI B16.5
Materials	EN
Inspection	EN-4126-1 / 7

Construction and materials

Item	Description	Material
1	Nozzle	A 351 CF 3M
2	Body	A 351 CF 3M
4	Cap	A 351 CF-8
5	Disc	AISI-316L
6	Guide	A 351 CF 3M
7	Push Road	AISI-316L
8	Spring Button	AISI-303
9	Ajusting Screw	AISI-303
10	Look nut	AISI-303
11	Spring	AISI-302
12	Lever	A 351 CF-8
17	Release nut	AISI-316
18	Lever axis	AISI-303
19	Packing lever axis	AISI-303
20	Gasket	PTFE
21	Gasket	GRAPHITE + S.S.
22	Gasket	Viton
28	Soft seat	Viton / PTFE

Recommended spare parts

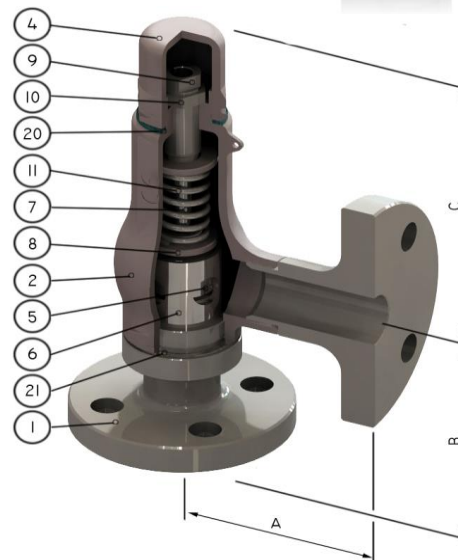
Lifting device



Sealed packing lever



Test gag



Soft seat



Technical information

Applications	Steam, gases, vapours and liquids
Min. Set pressure	0,2 barg
Overpressure	10%
Blowdown	Gases 10%, liquids 20%
Tolerance Set pressure	± 3%
Discharge coefficients	k= 0,55 for gases k= 0,48 for liquids

Dimensions

ANSI	Inlet	Outlet	Orif.	Area	A	A	B	C	weight
	ANSI150	150 BSP		(mm ²)	(mm)	BSP	(mm)	(mm)	(kg)
	ANSI300	RF NPT	(mm)						
	1/2"	1" o 1"	13	133	70	45	90	155	3
	3/4"	1" o 1"	14	154	70	45	90	155	3,2
	1"	1" o 1"	16	201	70	45	90	155	3,5

EN	PN 16	PN 16 BSP							
	PN 40	NPT							
			(mm)						
	15	25 o 1"	13	133	70	45	90	155	3
	20	25 o 1"	14	154	70	45	90	155	3,2
	25	25 o 1"	16	201	70	45	90	155	3,5