

Plug Cocks and Three-way Plug Cocks Type 14175



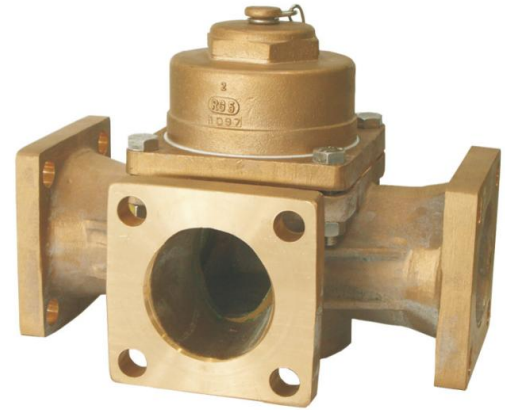
Three-way plug cock in Bronze, DIN 42544-C
with gland packing and square tap,
with cap and safety catch,
with T-port and square flanges drilled acc. to $\text{Ø}132 \times 4 \times \text{Ø}18$

Part No. 14175.X.0160

· Standard version, plug position stop left

Part No. 55322.0004.0105

· Plug key in bronze for three-way plug cock DN 80

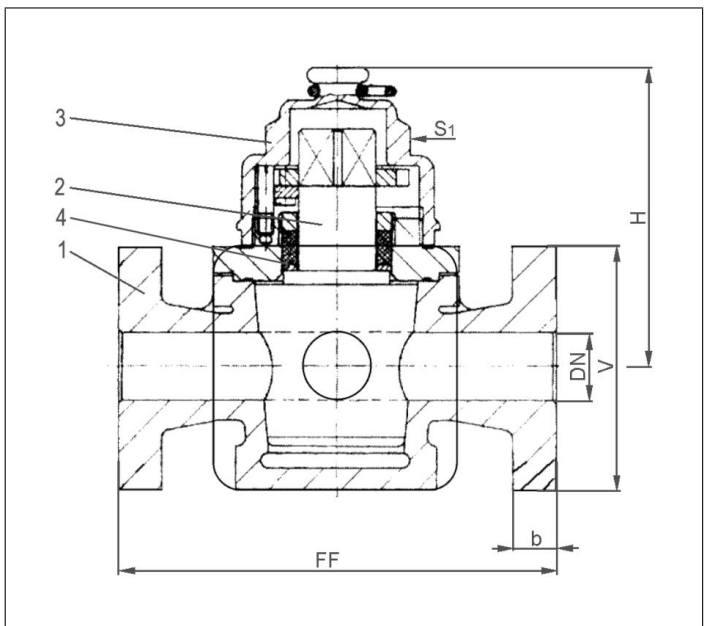


Applications:

Suitable for transformer oil.

Working temperatures: $-25^{\circ}\text{C} / -13^{\circ}\text{F}$ (248K) up to $+115^{\circ}\text{C} / +239^{\circ}\text{F}$ (388K) and maximum 5.0 bar.

Materials	DIN EN	ASTM
1 Body	CC491K	B 62 UNS C83600
2 Plug	CC491K	B 62 UNS C83600
3 Cap	CC491K	B 62 UNS C83600
4 Seal	PTFE	



Essential: When ordering or requesting an offer please indicate flow medium, working pressure and working temperature.

Standard marking acc. to Pressure Equipment Directive 2014/68/EU (PED).



Type 14175	Technical data	
Nominal size	DN	80
Dimension code	.X.	0800
Face-to-face dimension	FF	290
Height	H	155
Square-Flange	V	125
Width of flange	b	18
Wrench size across flats	S ₁	71
Weight	approx. kg	22.0

Dimensions in mm.