

Outlet Valves

Type 03196



Outlet Valves, DIN 42568

Body and screwed topwork in brass, outlet with cap and chain, round/square flange, drilled acc. to DIN 2501 PN6

Part No. 03196.X.000510

· Standard design

Part No. 03196.X.010010

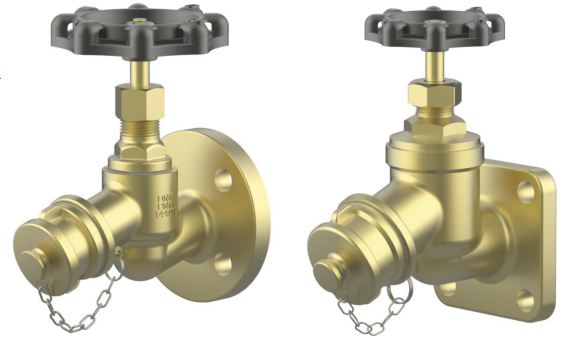
· Design with handwheel in aluminium (red) and locking device without lock

Part No. 03196.X.020010

· Design with handwheel in aluminium (red) and locking device with lock

Option:

Design with opening indicator



Applications:

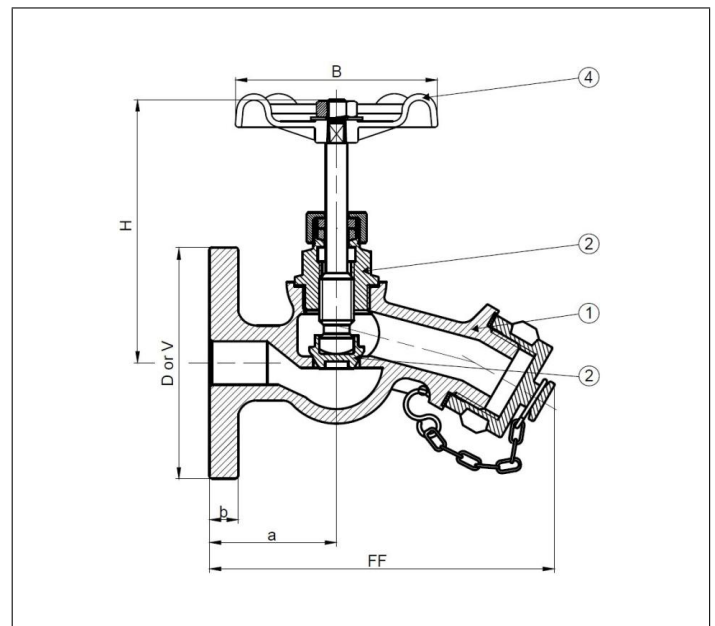
Suitable for transformer oil.

Working temperatures: -20°C / -4°F (253K) up to +120°C / +248°F (393K) and maximum 6.0 bar

Materials	DIN EN	ASTM
1 Body	CW614N	B 283 UNS C38500
2 Disc	CW614N	B 283 UNS C38500
3 Headpiece	CW614N	B 283 UNS C38500
4 Handwheel	Plastic	

Essential: When ordering or requesting an offer please indicate flow medium, working pressure and working temperature.

Standard marking acc. to Pressure Equipment Directive 2014/68/EU (PED).



Type 03196	Technical data		
Nominal size	DN	15	32
Dimension code	.X.	0150	0320
Face-to-face dimension	FF	120	128
Height	H	92	133
Round-Flange-Ø	D	80	-
Square-Flange	V	-	90
Length	a	44	55
Width of flange	b	10	13
Handwheel- Ø	B	70	80
Weight	approx. kg	1.0	2.3

Dimensions in mm.