

Outlet Valves

Type 03199



Outlet Valves, DIN 42568

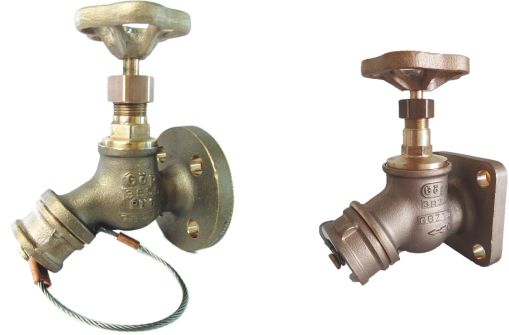
Bronze body and screwed topwork in seawater resistant bronze,
Outlet with cap and steel cable, round/square flange,
drilled acc. to DIN PN6

Part No. 03199.X.110212

· Offshore-design with opening indicator and locking device without lock

Part No. 03199.X.120212

· Offshore-design with opening indicator and locking device with lock



Applications:

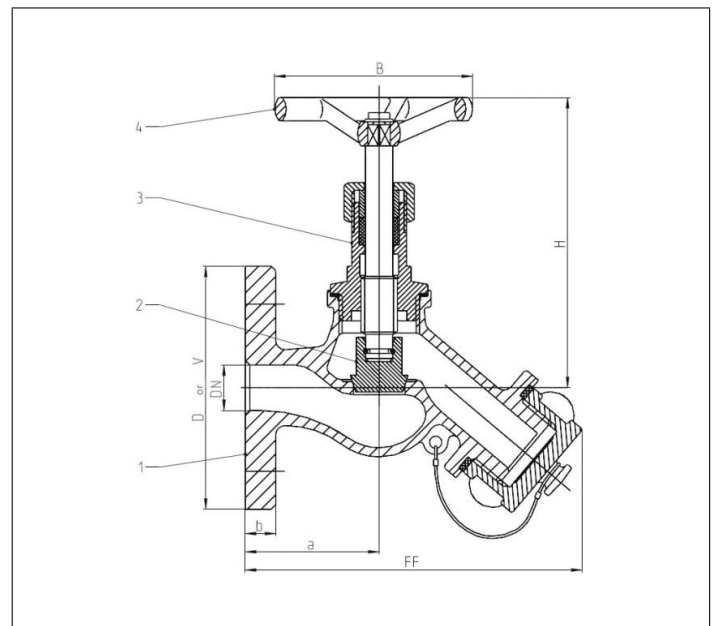
Suitable for transformer oil.

Working temperatures: -50°C / -58°F (223K) up to +115°C / +239°F (388K) and maximum 6.0 bar

Materials	DIN EN	ASTM
1 Body	CC480K	B 30 UNS C90700
2 Disc	CW452K	B 103 UNS C51900
3 Headpiece	CC483K	B 30 UNS C90800
4 Handwheel	CC491K	B 62 UNS C83600

Essential: When ordering or requesting an offer please indicate flow medium, working pressure and working temperature.

Standard marking acc. to Pressure Equipment Directive 2014/68/EU (PED).



Type 03199	Technical data		
Nominal size	DN	15	32
Dimension code	.X.	0150	0320
Face-to-face dimension	FF	110	130
Height	H	97	120
Round-Flange-Ø	D	80	-
Square-Flange-Ø	V	-	90
Length	a	44	55
Width of flange	b	10	13
Handwheel-Ø	B	63	80
Weight	approx. kg	1.0	2.3

Dimensions in mm.