

# Outlet Valves

## Type 03199



### Outlet Valves, DIN 42568

Bronze body and screwed topwork in brass  
Outlet with cap and chain, round/square flange,  
drilled acc. to DIN PN6

#### Part No. 03199.X.000500

· Standard design

#### Part No. 03199.X.010400

· Design with handwheel in cast iron (red) and locking device without lock

#### Part No. 03199.X.020400

· Design with handwheel in cast iron (red) and locking device with lock

Option:

Design with opening indicator



### Applications:

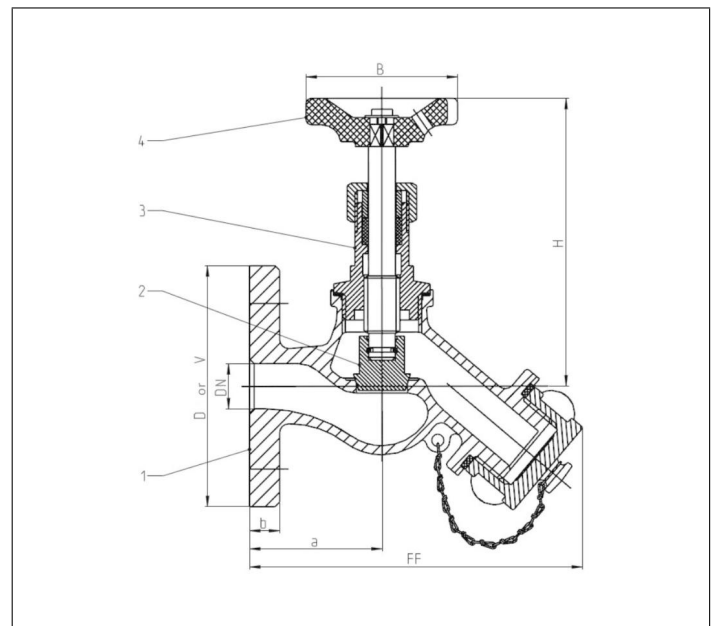
Suitable for transformer oil.

Working temperatures: -40°C / -40°F (233K) up to +115°C / +239°F (388K) and maximum 6.0 bar

Materials	DIN EN	ASTM
1 Body	CC491K	B 62 UNS C83600
2 Disc	CW614N	B 455 UNS C38500
3 Headpiece	CW614N	B 455 UNS C38500
4 Handwheel	PA6 (Polyamid)	

**Essential:** When ordering or requesting an offer please indicate flow medium, working pressure and working temperature.

Standard marking acc. to Pressure Equipment Directive 2014/68/EU (PED).



Type 03199	Technical data		
Nominal size	DN	15	32
Dimension code	.X.	0150	0320
Face-to-face dimension	FF	110	130
Height	H	97	120
Round-Flange-Ø	D	80	-
Square-Flange	V	-	90
Length	a	44	55
Width of flange	b	10	13
Handwheel- Ø	B	63	80
Weight	approx. kg	1.0	2.3

Dimensions in mm.