

Check Valves

Type 05115



Check Valves, PN40

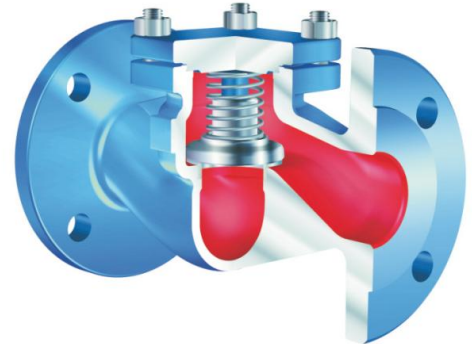
Body in cast steel

seat and disc in stainless steel, metal to metal seated

Part No. 05115.X.0000

Flanged connection acc. to DIN EN 1092-1 PN40

face-to-face dimension acc. to DIN EN 558-1, Reihe 1



Applications:

Suitable for non-toxic, non-inflammable fluids, gases and vapours.

The laws, regulations and standards are to observe for the range of application.

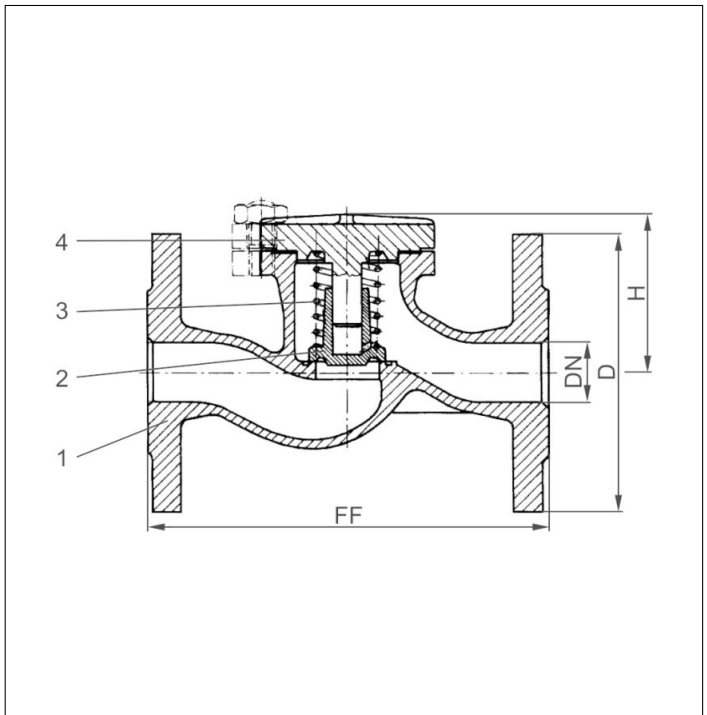
Working temperatures and pressures:

up to max. 40.0 bar: -10°C / +14°F (263K) up to +120°C / +248°F (393K)

up to max. 33.0 bar: -10°C / +14°F (263K) up to +225°C / +437°F (498K)

up to max. 21.0 bar: -10°C / +14°F (263K) up to +400°C / +752°F (673K)

| Materials | DIN EN | ASTM |
|------------------|--------|------------------|
| 1 Body | 1.0619 | A 216 Grade WCB |
| 2 Disc | 1.4021 | A 276 Grade 420 |
| 3 Spring | 1.4310 | A 313 Grade 301 |
| 4 Cap DN15 - 65 | 1.0402 | A 576 Grade 1020 |
| 5 Cap DN80 - 150 | 1.0425 | no reference |



Essential: When ordering or requesting an offer please indicate flow medium, working pressure and working temperature.

Standard marking acc. to Pressure Equipment Directive 2014/68/EU (PED).



| Type 05115 | Technical data | | | | | | | | | | | |
|------------------------|----------------|------|------|------|------|------|------|------|------|------|------|------|
| Nominal size | DN | 15 | 20 | 25 | 32 | 40 | 50 | 65 | 80 | 100 | 125 | 150 |
| Dimension code | .X. | 0150 | 0200 | 0250 | 0320 | 0400 | 0500 | 0650 | 0800 | 1000 | 1250 | 1500 |
| Face-to-face dimension | FF | 130 | 150 | 160 | 180 | 200 | 230 | 290 | 310 | 350 | 400 | 480 |
| Height | H | 70 | 70 | 80 | 80 | 85 | 95 | 110 | 130 | 155 | 165 | 215 |
| Flange diameter | D | 95 | 105 | 115 | 140 | 150 | 165 | 185 | 200 | 235 | 270 | 300 |
| Weight | ca. kg | 3.8 | 4.9 | 5.9 | 7.1 | 10.4 | 12.3 | 22.7 | 28.5 | 40.0 | 64.0 | 90.0 |

Dimensions in mm.

JUSTIN GORAZD s.p.-ATIS
Levstikova ulica 24, 4226 Žiri

Tel.:04 510 5530
Fax:04 510 5531

E-mail: atis@armature.si
WWW: www.armature.si