

# Pressure reducing Valves

## Type 08023



### Pressure Reducing Valves

Bronze body, with balanced seat,  
disc with NBR seal, pressure gauge connection G1/4,  
inlet pressure: up to max. 25.0 bar  
outlet pressure: 0.6 up to 7.0 bar

### Part No. 08023.X.0000

Union connections with male thread (G) acc. to ISO 228/1



### Applications:

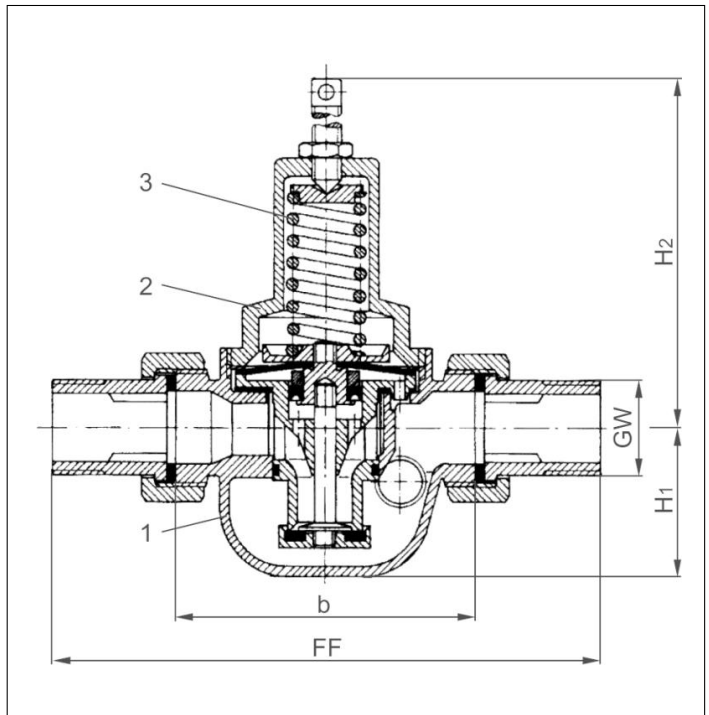
Suitable for water, non-viscous liquids, compressed air,  
and similar non-inflammable, non-toxic gases.  
Working temperature: -10°C / +14°F (263K) up to +90°C / +194°F (368K)

Picture:  
Accessory pressure gauge - not  
included with valve

Materials	DIN EN	ASTM
1 Body	CC491K	B 62 UNS C83600
2 Bonnet	CC491K	B 62 UNS C83600
3 Spring	1.1200	A 227

**Essential:** When ordering or requesting an offer  
please indicate flow medium, working  
pressure and working temperature.

Standard marking acc. to Pressure Equipment  
Directive 2014/68/EU (PED).



Type 08023	Technical data						
Nominal size	GW	1/2	3/4	1	1-1/4	1-1/2	2
Dimension code	.X.	0400	0600	1000	1200	1400	2000
Face-to-face dimension	FF	130	160	180	185	225	260
Body length	b	68	92	98	98	128	148
Height	H <sub>1</sub>	30	42	46	46	52	75
Height	H <sub>2</sub>	110	110	150	160	190	265
Weight	ca. kg	0.80	1.30	1.70	1.90	3.60	6.70

Dimensions in mm.

JUSTIN.GORAZD.s.p.-ATIS.  
Levstikova ulica 24, 4226 Žiri

Tel.:04 510 5530  
Fax:04 510 5531

E-mail: atis@armature.si  
WWW: www.armature.si