

Pressure Regulator

Type 4186-1 - Combi-Regulator



Cryogenic-Pressure Regulator, stainless steel, PN50

Set point range from 1.0 up to 38.0 bar

Connections: male thread for union connection, BSPP (G) thread or NPT thread

Cleaning Standard: " cleaned and degreased for oxygen service " - **for oxygen (O₂) max. 30,0 bar**
complete with installed strainer screens - mesh size 0.25 mm - on connection A and B

Part No. 4186-X-1100* Set point range 1.0 up to 12.0 bar
set at 8.0 bar unless otherwise noted on purchase order

Part No. 4186-X-1200* Set point range 6.0 up to 24.0 bar
set at 12.0 bar unless otherwise noted on purchase order

Part No. 4186-X-1300* Set point range 16.0 up to 38.0 bar
set at 20.0 bar unless otherwise noted on purchase order

*connection C: 1 = M thread, 2 = BSPP (G) thread, 3 = NPT thread



Applications:

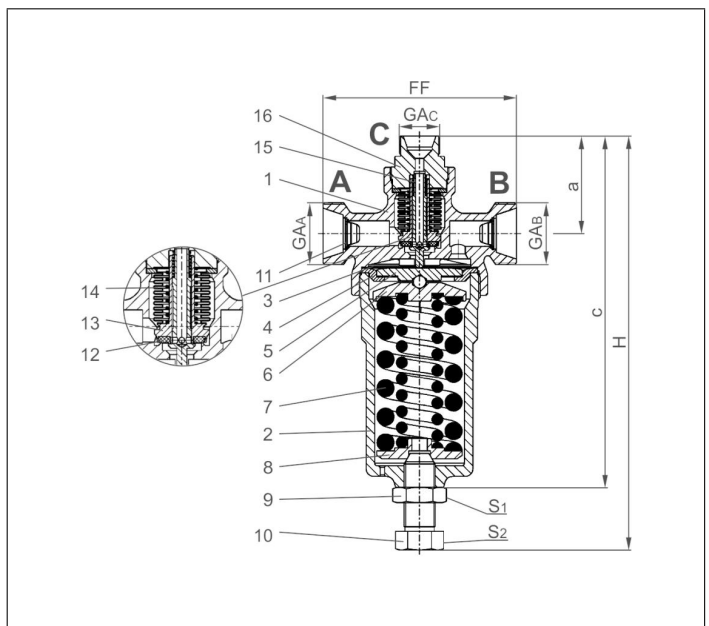
Approved for air gases, vapours and cryogenic liquefied gases incl. LNG.

Working temperature: -196°C / -321°F (77K) up to +200°C / 392°F (473K)

Ambient temperature: -40°C / -40°F (233K) up to +65°C / 149°F (338K)

| Materials | DIN EN | ASTM |
|-----------------------|--------|-------------------|
| 1 Body | 1.4308 | A 351 CF8 |
| 2 Bonnet (cover) | 1.4408 | A 351 CF8M |
| 3 Diaphragm | 1.4404 | A 240 Grade 316L |
| 4 Supporting ring | 1.4301 | A 276 Grade 304 |
| 5 Diaphragm ring | 1.4301 | A 276 Grade 304 |
| 6 Spring plate | 1.4301 | A 276 Grade 304 |
| 7 Spring | 1.4310 | A 313 Grade 301 |
| 8 Spring clamp | 1.4301 | A 276 Grade 304 |
| 9 Locking nut | 1.4301 | A 276 Grade 304 |
| 10 Set point adjuster | 1.4301 | A 240 Grade 304 |
| 11 Strainer (option) | 1.4301 | A 240 Grade 304 |
| 12 Valve seal | PTFE | |
| 13 Bellow disc | 1.4571 | A 276 Grade 316Ti |
| 14 Bellow | 1.4571 | A 313 Grade 316Ti |
| 15 Bellow spring | 1.4571 | A 313 Grade 316Ti |
| 16 Connection fitting | 1.4571 | A 276 Grade 316Ti |

Standard marking acc. to Pressure Equipment Directive 97/23/EC (PED).



| Type 4186 | Technical data | | |
|--------------------------|-------------------|---------|---------|
| Nominal size | DN | 20 | 20 |
| Dimension code | .X. | MM04020 | MG12000 |
| Face-to-face dimension | FF | 125 | 125 |
| Height | H | 268 | 268 |
| Thread | G _A | M40x2.0 | G 1-1/4 |
| Thread | G _B | M40x2.0 | G 1-1/4 |
| Thread | G _C | M26x1.5 | G 3/4 |
| Length | a | 63 | 63 |
| Length | c | 227 | 227 |
| Wrench size across flats | S ₁ | 30 | 30 |
| Wrench size across flats | S ₂ | 27 | 27 |
| Weight | ca. kg | 4.3 | 4.3 |
| Kvs-Value | m ³ /h | 1.2 | 1.2 |
| Cv-Value | gal/min | 1.4 | 1.4 |

Dimensions in mm.

JUSTIN GORAZD s.p.-ATIS
Levstikova ulica 24, 4226 Žiri

Tel.:04 510 5530
Fax:04 510 5531

Essential: Please confirm pressure range and valve set pressure on purchase order

E-mail: atis@armature.si
WWW: www.armature.si