

Actuated Valves

Type 09443 - Actuated Gate Valve



Cryogenic-Gate Valves with Pneumatic Actuator, PN50

air pressure for operation 4.0 bar g (maximal 10.0 bar g),
 Stainless steel body and topwork,
 Actuator - air opens, spring closes
 one way tightening (in flow direction),
 "live loaded" gland packing
 "cleaned and degreased for oxygen service" - the actuator is not cleaned and degreased for oxygen

Part No. 09443.X.T021

Male thread for union connection

Available options - on request only:

- other connections are in preparation

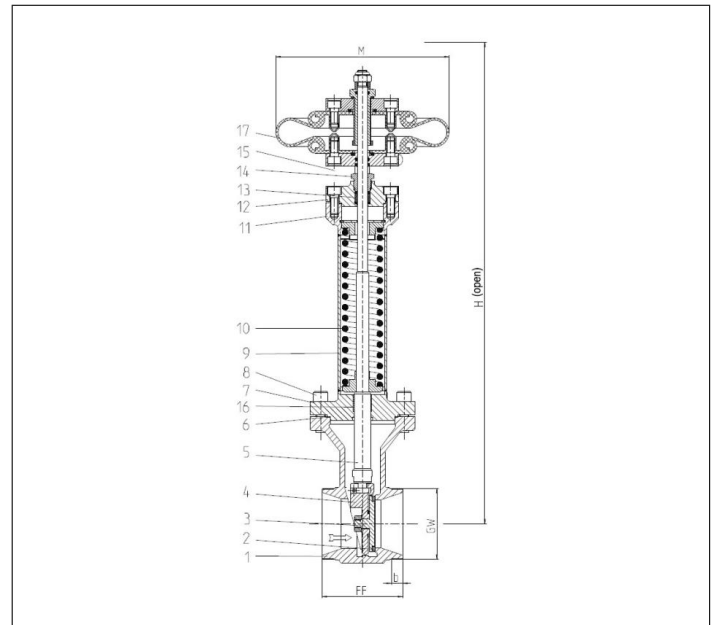


Applications:

Approved for air gases, vapours and cryogenic liquefied gases incl. LNG.
 Working temperature: -196°C / -321°F (77K) up to +120°C / +248°F (393K)

| Materials | DIN EN | ASTM |
|-------------------|----------------------------|-------------------|
| 1 Body | 1.4308 | A 351 CF8 |
| 2 Valve seal | PTFE / Carbon filled (25%) | |
| 3 Disc | CW452K | B 159 UNS C51900 |
| 4 Wedge | 1.4308 | A 351 CF8 |
| 5 Stem | 1.4301 | A 276 Grade 304 |
| 6 Bonnet gasket | PTFE | |
| 7 Headpiece | 1.4301 | A 276 Grade 304 |
| 8 Bolts | 1.4301/A2 | A 194 B8 |
| 9 Elongation tube | 1.4541 | A 213 TP 321 |
| 10 Spring | 1.4571 | A 313 Grade 316Ti |
| 11 Flange | 1.4301 | A 276 Grade 304 |
| 12 Headpiece | 1.4301 | A 276 Grade 304 |
| 13 Gland packing | Graphite / PTFE | |
| 14 Gland nut | 1.4305 | A 276 Grade 303 |
| 15 Pillars | 1.4301 | A 276 Grade 304 |
| 16 Bush | CW452K | B 159 UNS C51900 |
| 17 Actuator | Rubberchuk | |

Standard marking acc. to Pressure Equipment Directive 97/23/EC (PED).



| Type 09443 - Standard design | Technical data | | | | |
|------------------------------|-------------------|-----------|------------|----------------|------------|
| Nominal size | DN | 25 | 40 | 50 | 65 |
| Dimension code | .X. | 0250 | 0400 | 0500 | 0650 |
| Thread | GW | 1 | 1-1/2 | 2 | 2-1/2 |
| Face-to-face dimension | FF | 133 | 133 | 110 | 110 |
| Height | H | 500 | 560 | 590 | 630 |
| Thread type (G- / M-thread) | b | - / M40x2 | G2 / M65x2 | G2-1/2 / M78x2 | G3 / M88x2 |
| Actuator-Ø | M | 229 | 229 | 229 | 229 |
| Weight | ca. kg | 9.9 | 11.1 | 13.5 | 14.9 |
| Kvs-Value | m ³ /h | 43 | 93 | 125 | 283 |
| Cv-Value | gal/min | 51 | 111 | 149 | 337 |

Dimensions in mm. * o.r.= on request

JUSTIN GORAZD s.p.-ATIS
 Levstikova ulica 24, 4226 Žiri

Tel.:04 510 5530
 Fax:04 510 5531

E-mail: atis@armature.si
 WWW: www.armature.si