

Plug Cocks and Three-way Plug Cocks Type 12170



Plug cock in Bronze, DIN 42544-A
with gland packing and square tap,
with cap and safety catch

Part No. 12170.X.0160

· Standard version with round flanges drilled acc. to DIN PN 16

Part No. 55322.0003.0105

· Plug key in bronze for plug cock DN 25

Part No. 55322.0004.0105

· Plug key in bronze for plug cock DN 80



Applications:

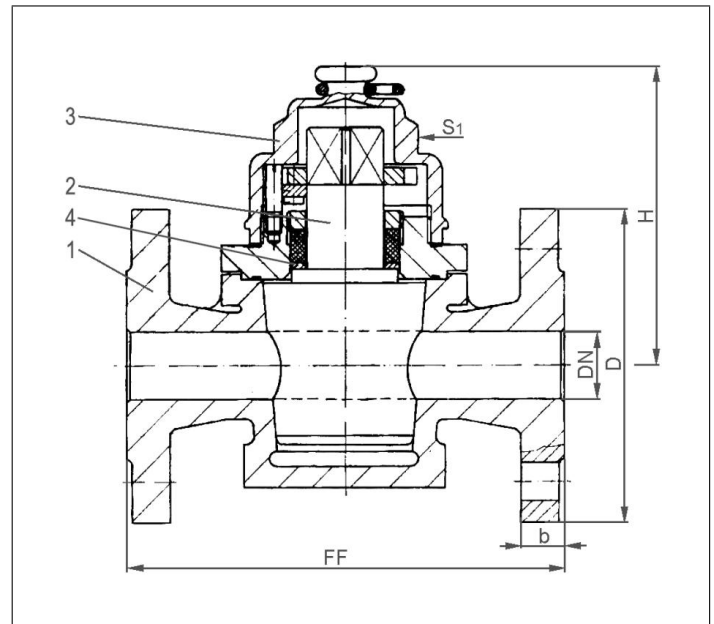
Suitable for transformer oil.

Working temperatures: -25°C / -13°F (248K) up to +115°C / +239°F (388K) and maximum 5.0 bar.

Materials	DIN EN	ASTM
1 Body	CC491K	B 62 UNS C83600
2 Plug	CC491K	B 62 UNS C83600
3 Cap	CC491K	B 62 UNS C83600
4 Seal	PTFE	

Essential: When ordering or requesting an offer please indicate flow medium, working pressure and working temperature.

Standard marking acc. to Pressure Equipment Directive 2014/68/EU (PED).



Type 12170	Technical data		
Nominal size	DN	25	80
Dimension code	.X.	0250	0800
Face-to-face dimension	FF	160	290
Height	H	115	155
Round-Flange-Ø	D	115	200
Width of flange	b	16	20
Wrench size across flats	S ₁	46	71
Weight	approx. kg	6.4	10.0

Dimensions in mm.